

MINI SAS 26 PIN CABLE

SPECIFICATIONS

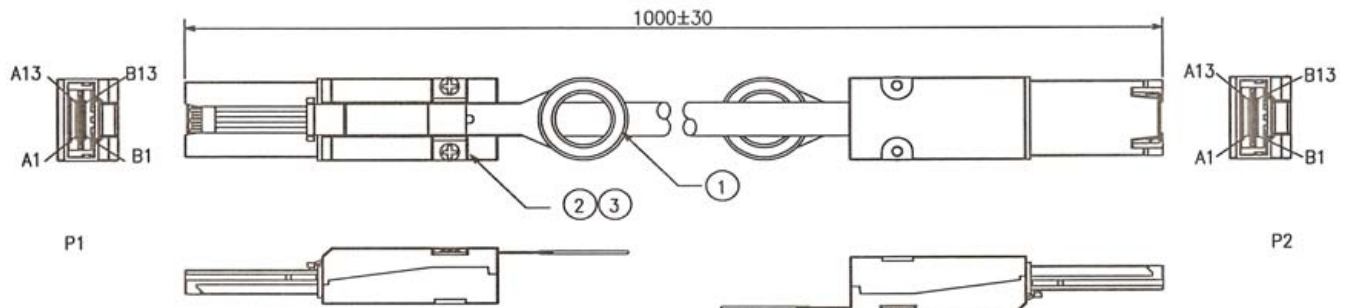
100% OPEN & SHORT TESTING

Withstanding Voltage: DC 300V 0.01Sec.

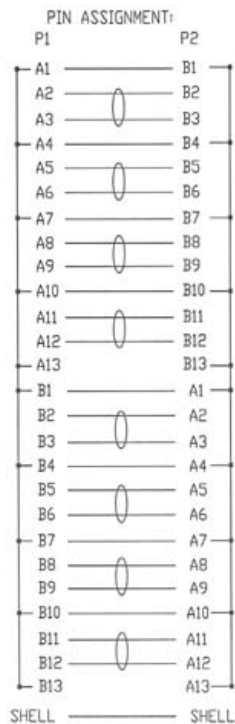
Conductive Resistance: 2 Ω(Max.)

Insulation Resistance: 10M Ω(Min.)

All materials must be RoHS compliant.



KSAT35-1M



NO.	NAME	DESCRIPTION
1	CABLE	UL20276(28#*2C+D+AL+ML)*8C+ML+A+B+P OD: 7.3mm BLACK
2	CONN	MINI SAS 4xPLUG CONNECTOR SHELL: PLATE NI W/BLUE HAUL RING
3	PE	LOW DESNIGE

ORDERING INFORMATION:

P/N K S A T $\frac{35}{1} - \frac{xx}{2} M$

1. CONNECTORS AT 2 ENDS:

"35" MINI SAS 26 PIN CONNECTOR TO
MINI SAS 26 PIN CONNECTOR

2. CABLE LENGTH IN METER:

0.5M, 1M, 2M,...etc.

MINI SAS 26 PIN TO INFIBAND CABLE

SPECIFICATIONS

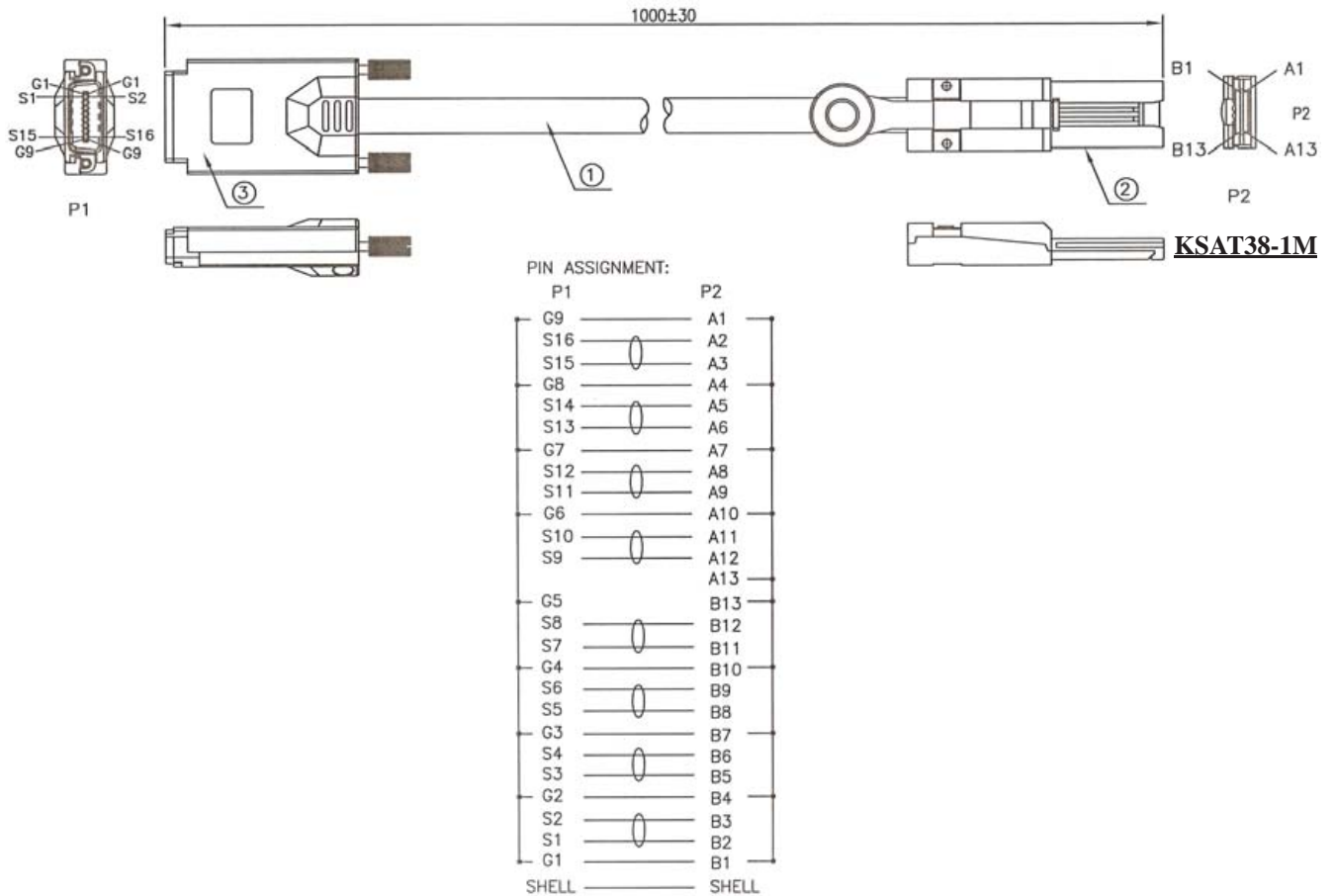
100% OPEN & SHORT TESTING

Withstanding Voltage: DC 300V 0.01Sec.

Conductive Resistance: 2 Ω(Max.)

Insulation Resistance: 10M Ω(Min.)

All materials must be RoHS compliant.



ORDERING INFORMATION:

P/N K S A T $\frac{38}{1} - \frac{x x M}{2}$

1. CONNECTORS AT 2 ENDS:
"38" MINI SAS 26 PIN CONNECTOR TO
INFINIBAND CABLE
2. CABLE LENGTH IN METER:
0.5M, 0.75M, 1M,...etc.