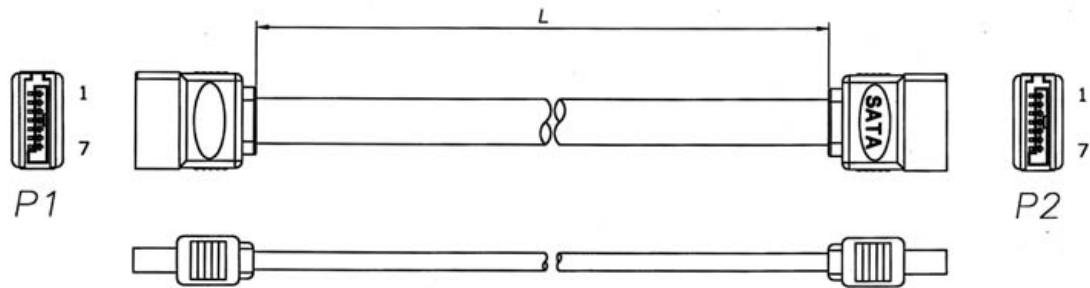
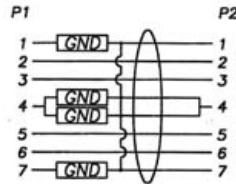


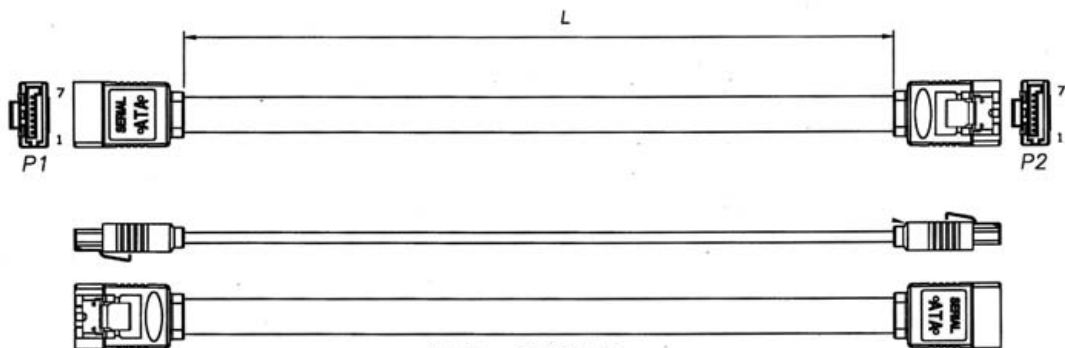
SATA 7 PIN SIGNAL CABLE



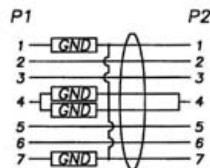
WIRE DIAGRAM



KSAT53



WIRE DIAGRAM



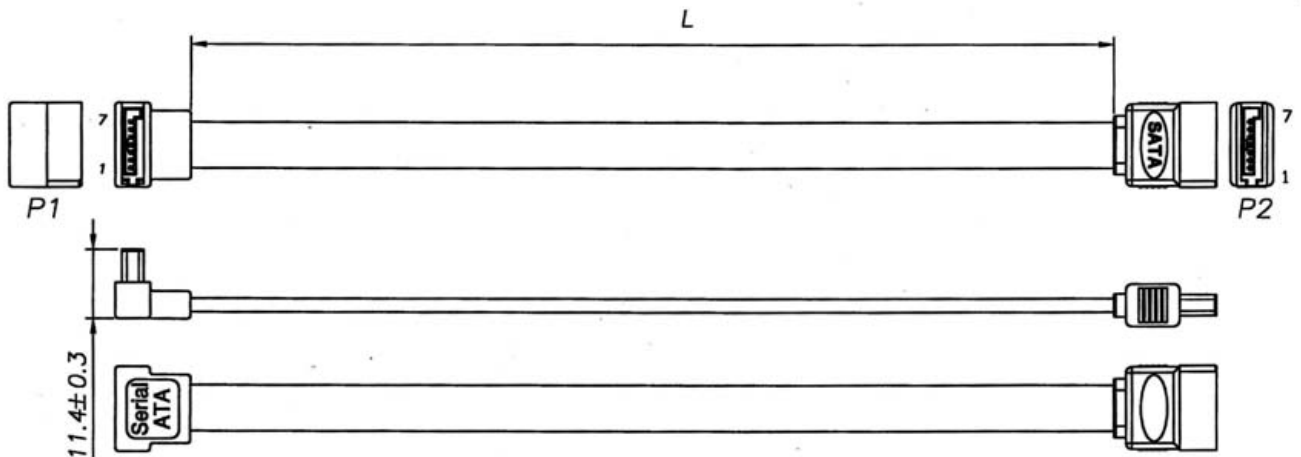
KSAT54

ORDERING INFORMATION:

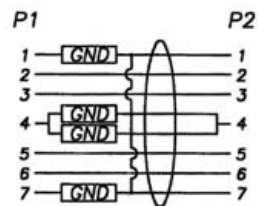
P/N **KSAT** $\frac{xx}{1}$ - $\frac{xx}{2}$ M

1. CONNECTORS AT 2 ENDS:
 "53" SATA 7 PIN MALE CONNECTOR TO
 SATA 7 PIN MALE CONNECTOR
 "54" SATA 7 PIN MALE WITH LATCH TO
 SATA 7 PIN MALE WITH LATCH
2. CABLE LENGTH L IN METERS:
 0.2M, 0.5M, 1M, 2M, ...etc.

SATA 7 PIN SIGNAL CABLE



WIRE DIAGRAM

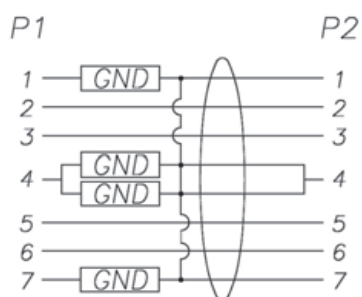
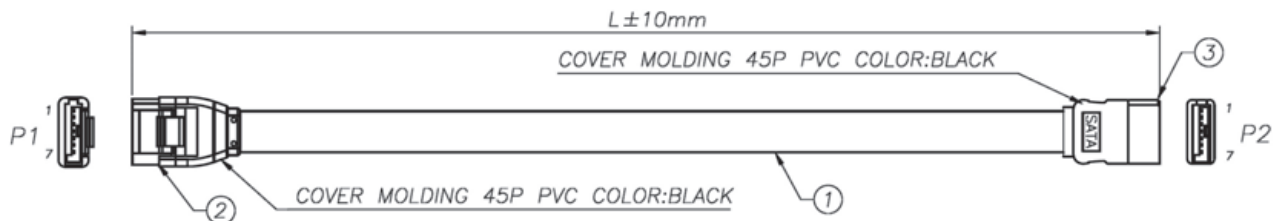


ORDERING INFORMATION:

P/N **K S A T $\frac{62}{1} - \frac{x x}{2}$ M**

- CONNECTORS AT 2 ENDS:
"62" SATA R/A 7 PIN CONNECTOR TO
SATA 7 PIN CONNECTOR
- CABLE LENGTH L IN METERS:
0.2M, 0.5M, 1M, 2M, ...etc.

SATA 7 PIN FEMALE WITH LATCH TO SATA 7 PIN FEMALE WITHOUT LATCH CABLE

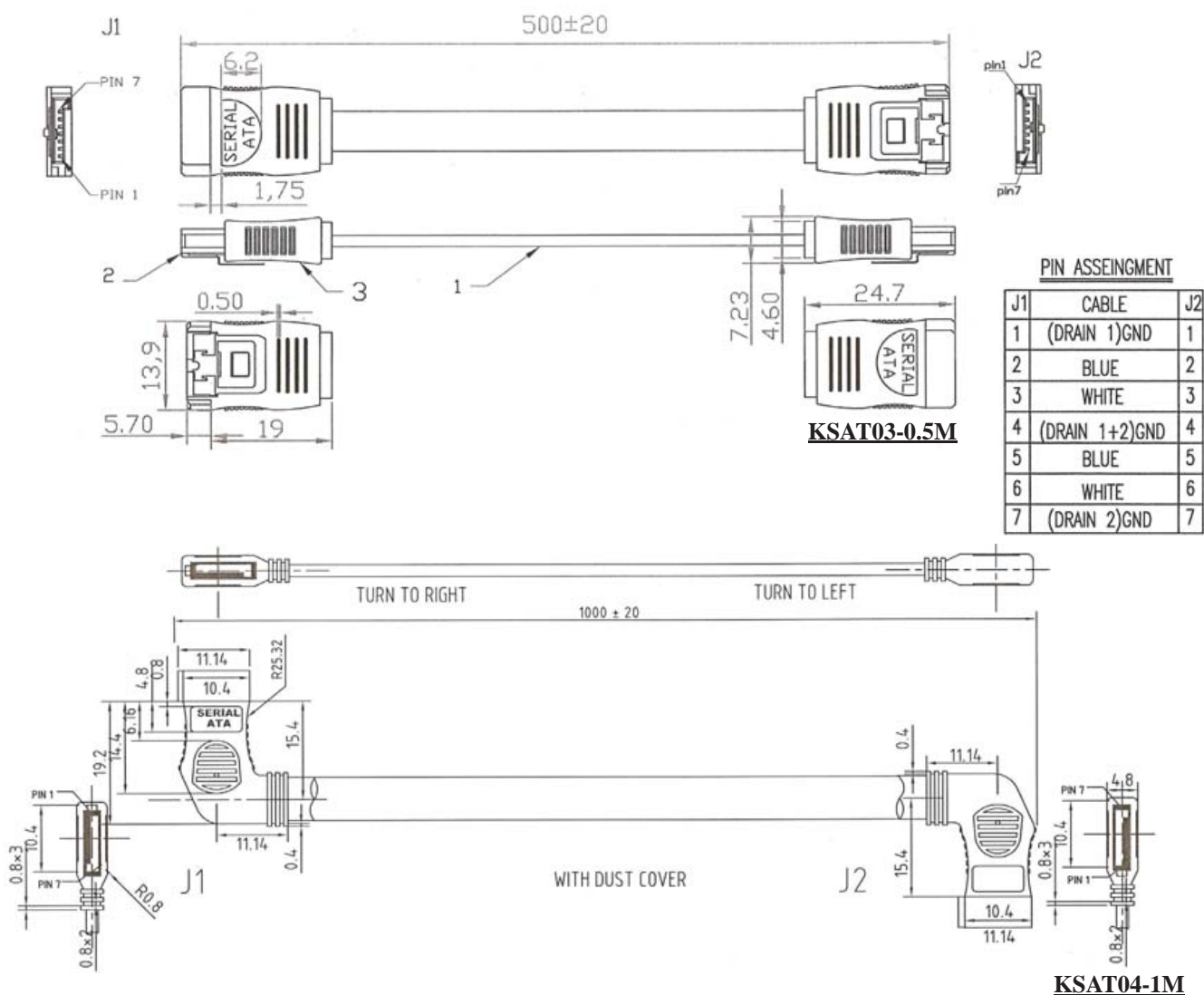


ORDERING INFORMATION:

P/N K S A T $\frac{74}{1}$ - $\frac{x x M}{2}$

- CONNECTORS AT 2 ENDS:
"74" SATA 7 PIN FEMALE WITH LATCH TO
SATA 7 PIN FEMALE WITHOUT LATCH
- CABLE LENGTH L IN METERS:
0.2M, 0.5M, 1M, 2M, ...etc.

SERIAL ATA 7 PIN SIGNAL CABLE

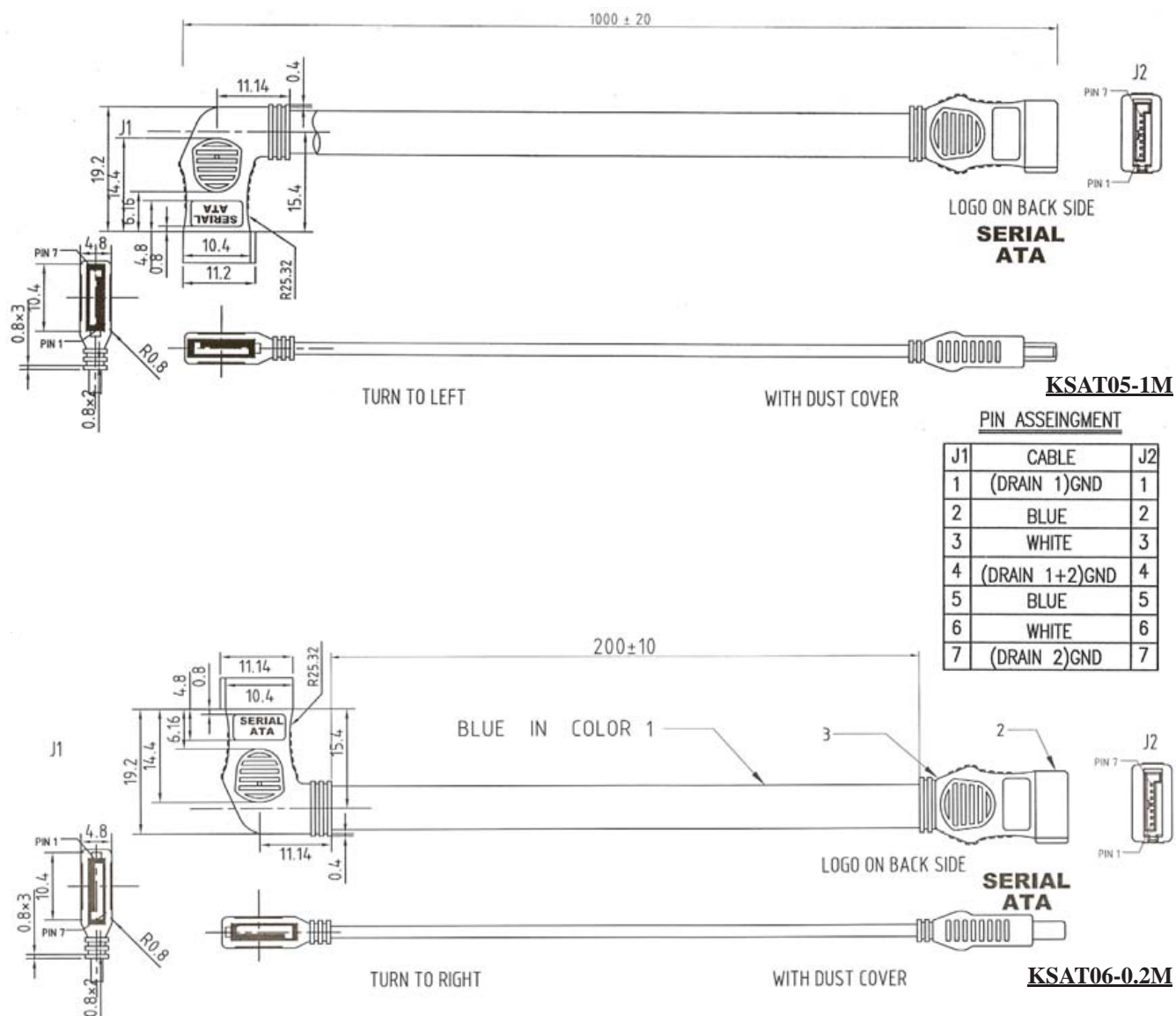


ORDERING INFORMATION:

P/N K S A T xx - xx M

- CONNECTORS AT 2 ENDS:
 "03" SATA 7 PIN MALE WITH LATCH TO
 SATA 7 PIN MALE WITH LATCH
 "04" SATA 7 PIN R/A MALE TO
 SATA 7 PIN R/A MALE
- CABLE LENGTH IN METER:
 0.15M, 0.3M, 0.5M, 1M,...etc.

SERIAL ATA 7 PIN SIGNAL CABLE



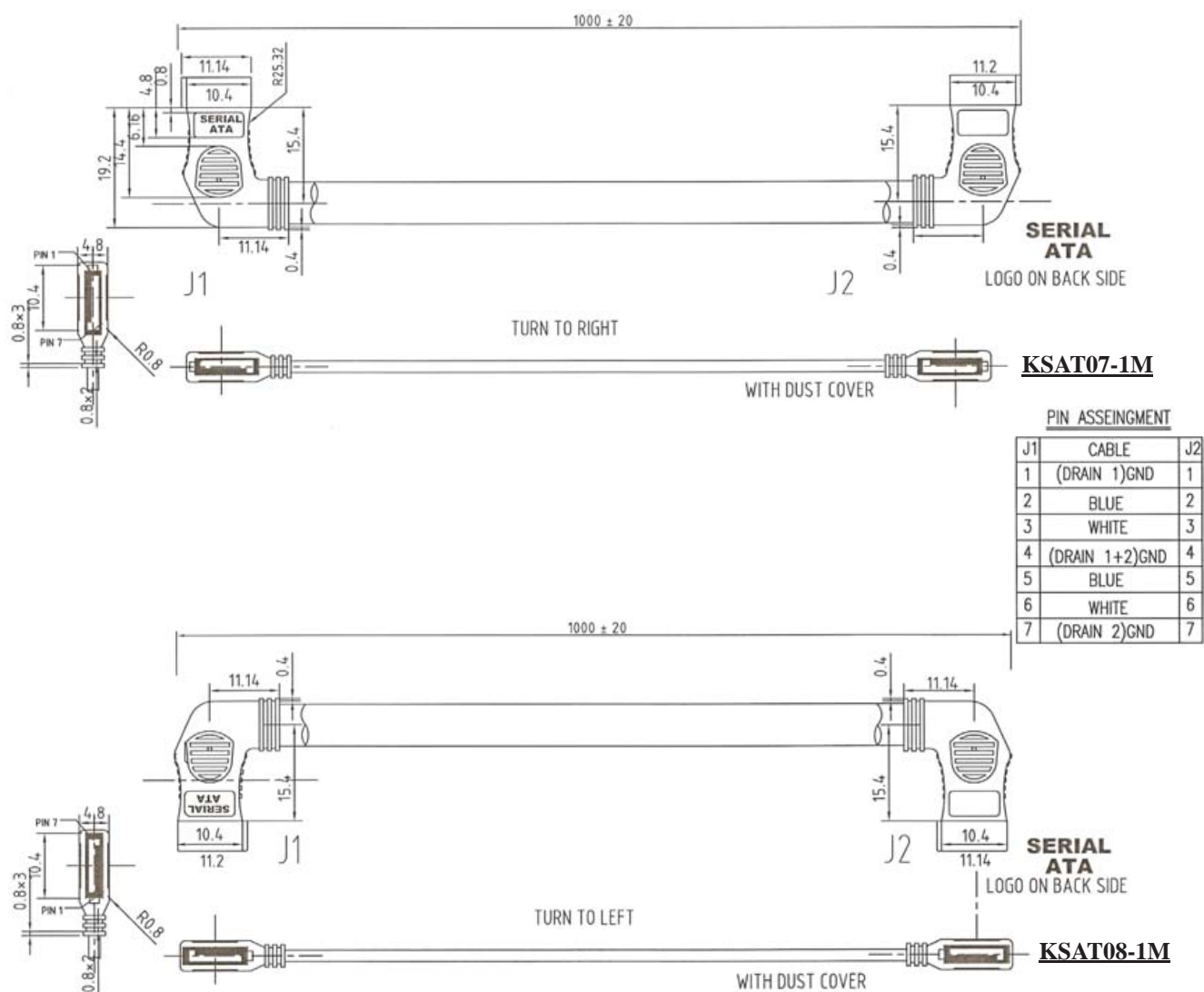
ORDERING INFORMATION:

P/N **KSAT** xx - xx **M**

1 2

1. CONNECTORS AT 2 ENDS:
 "05" SATA 7 PIN R/A MALE TO
 SATA 7 PIN MALE CONNECTOR
 "06" SATA 7 PIN R/A MALE TO
 SATA 7 PIN MALE CONNECTOR
2. CABLE LENGTH IN METER:
 0.15M, 0.3M, 0.5M, 1M,...etc.

SERIAL ATA 7 PIN SIGNAL CABLE

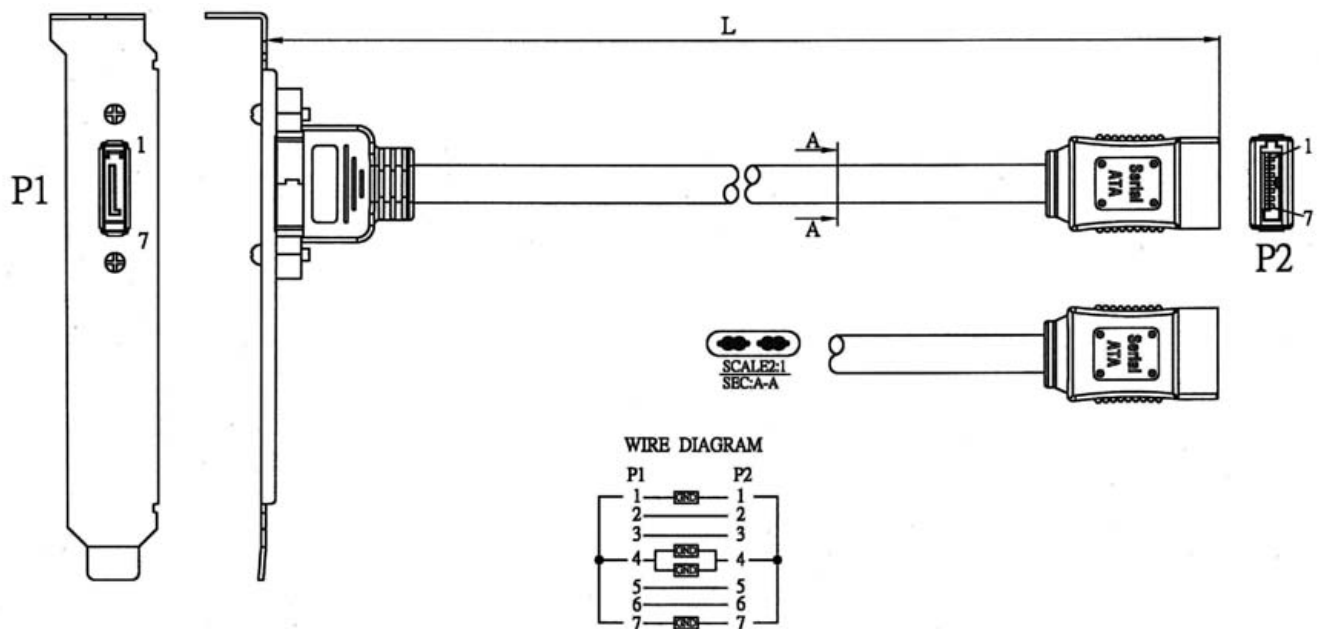


ORDERING INFORMATION:

P/N K S A T $\frac{XX}{1} - \frac{XX}{2}$ M

- CONNECTORS AT 2 ENDS:
 "07" SATA 7 PIN R/A MALE TO
 SATA 7 PIN R/A MALE
 "08" SATA 7 PIN R/A MALE TO
 SATA 7 PIN R/A MALE
- CABLE LENGTH IN METER:
 0.15M, 0.3M, 0.5M, 1M,...etc.

SATA 7 PIN MALE TO FEMALE I/O CABLE

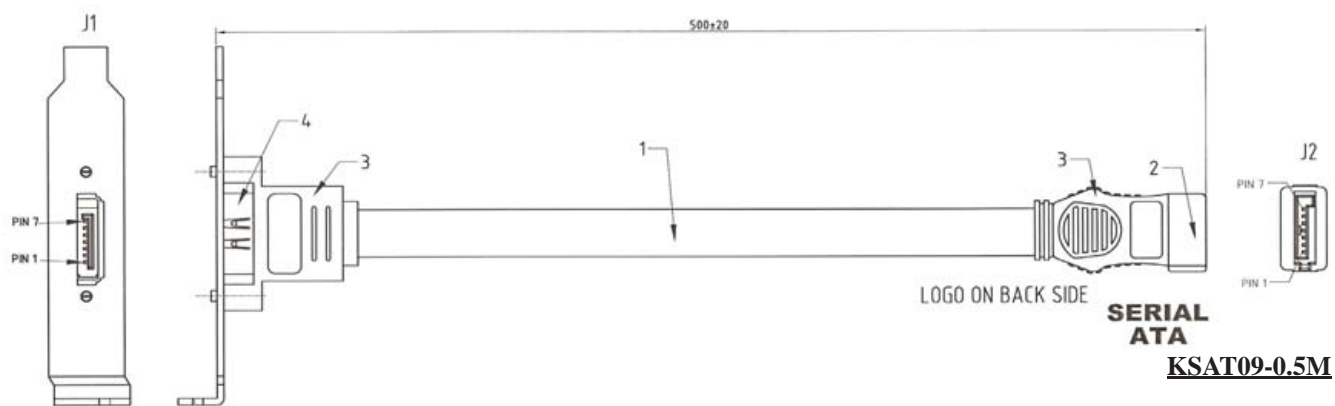


ORDERING INFORMATION:

P/N K S A T $\frac{55}{1} - \frac{xx}{2} M$

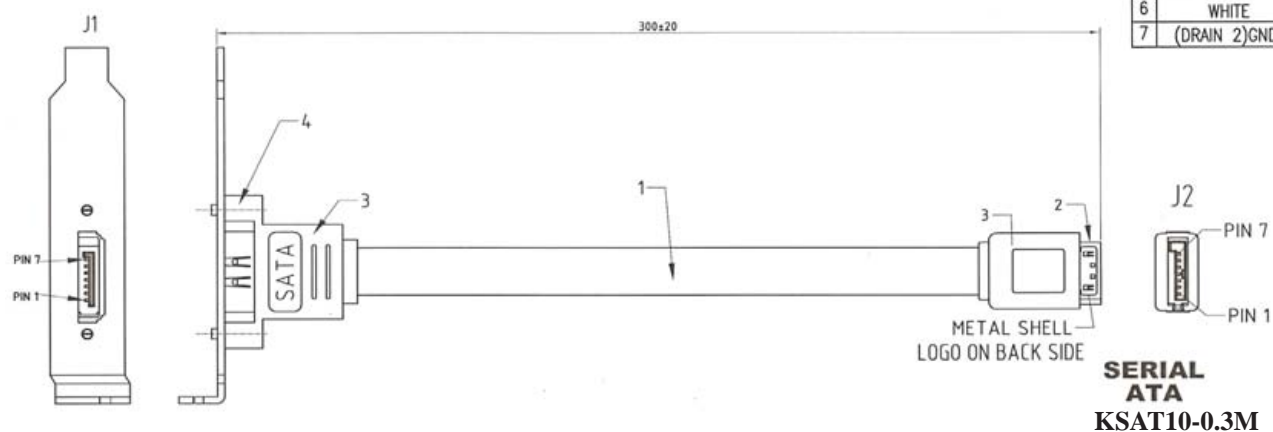
1. CONNECTORS AT 2 ENDS:
"55" SATA 7 PIN MALE WITH BRACKET TO
SATA 7 PIN FEMALE CONNECTOR
2. CABLE LENGTH L IN METERS:
0.2M, 0.5M, 1M, 2M, ...etc.

SERIAL ATA 7 PIN SIGNAL CABLE WITH BRACKET



PIN ASSEIGNMENT

J1	CABLE	J2
1	(DRAIN 1)GND	1
2	BLUE	2
3	WHITE	3
4	(DRAIN 1+2)GND	4
5	BLUE	5
6	WHITE	6
7	(DRAIN 2)GND	7



ORDERING INFORMATION:

P/N **K S A T** xx - xx **M**

1 2

1. CONNECTORS AT 2 ENDS:
 - "09" SATA 7 PIN MALE CONNECTOR TO
SATA 7 PIN FEMALE WITH BRACKET
 - "10" SATA 7 PIN MALE WITH METAL SHELL TO
SATA 7 PIN FEMALE WITH BRACKET
2. CABLE LENGTH IN METER:
 - 0.15M, 0.3M, 0.5M, 1M,...etc.

SERIAL ATA 7 PIN SIGNAL CABLE

SPECIFICATIONS

Current Rating: 1.0 Amp

Contact Resistance: <30mΩ

<45mΩ after stress

Insulation Resistance: >100MΩ

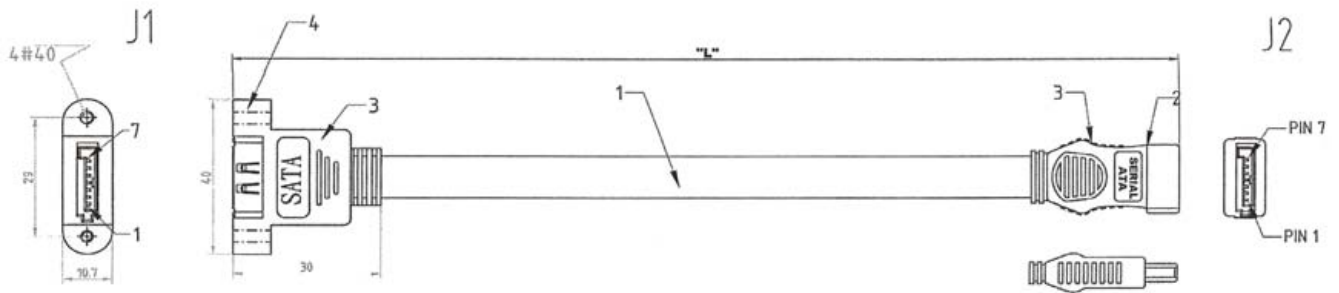
Operating Temperature: -20°C to +85°C

MATERIALS

Insulator: Thermoplastic compounds, UL94V-0

Contact: Copper Alloy

All materials must be RoHS compliant.



KSAT16-LENGTH

PIN ASSEINGMENT

J1	CABLE	J2
1	(DRAIN 1)GND	1
2	BLUE	2
3	WHITE	3
4	(DRAIN 1+2)GND	4
5	BLUE	5
6	WHITE	6
7	(DRAIN 2)GND	7

PIN DEFINITION

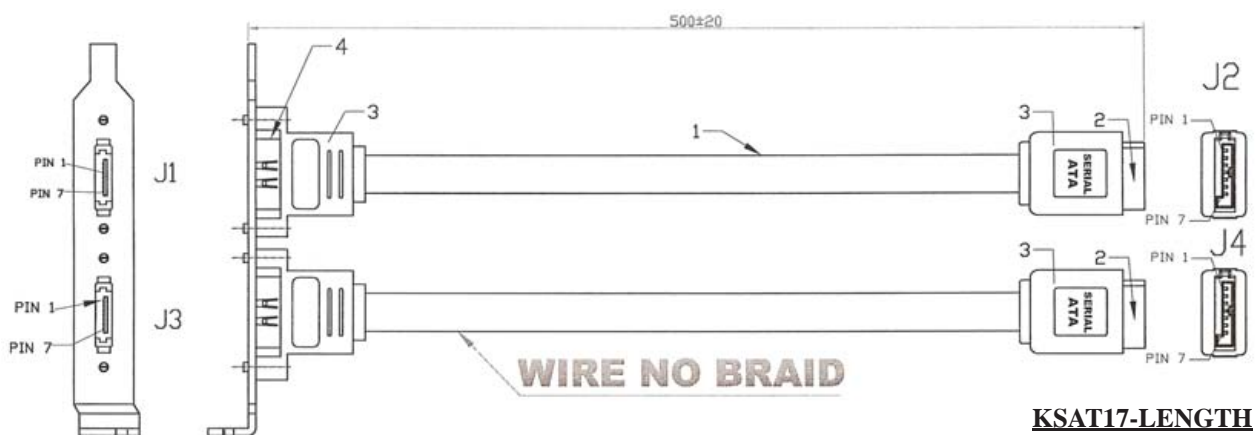
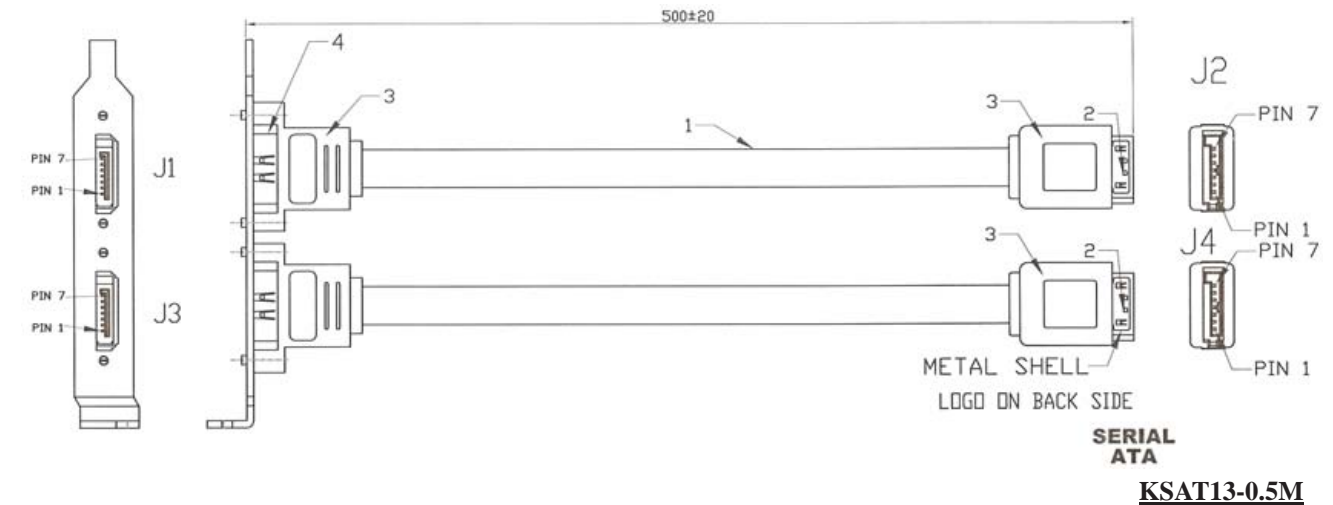
J1/J2	NOTE	DEFINITION
1	FIRST MATE	GND
2	DIFFERENTIAL SIGNAL	A+
3	PAIR A FROM PHY	A-
4	FIRST MATE	GND
5	DIFFERENTIAL	B-
6	PAIR B FROM PHY	B+
7	FIRST MATE	GND

ORDERING INFORMATION:

P/N K S A T $\frac{16}{1} - \frac{x x M}{2}$

- CONNECTORS AT 2 ENDS:
"16" SATA 7 PIN PCB SIDE TO
SATA 7 PIN CABLE SIDE
- CABLE LENGTH IN METER:
0.2M, 0.3M, 0.5M, 1M,...etc.

SERIAL ATA 7 PIN SIGNAL CABLE WITH BRACKET

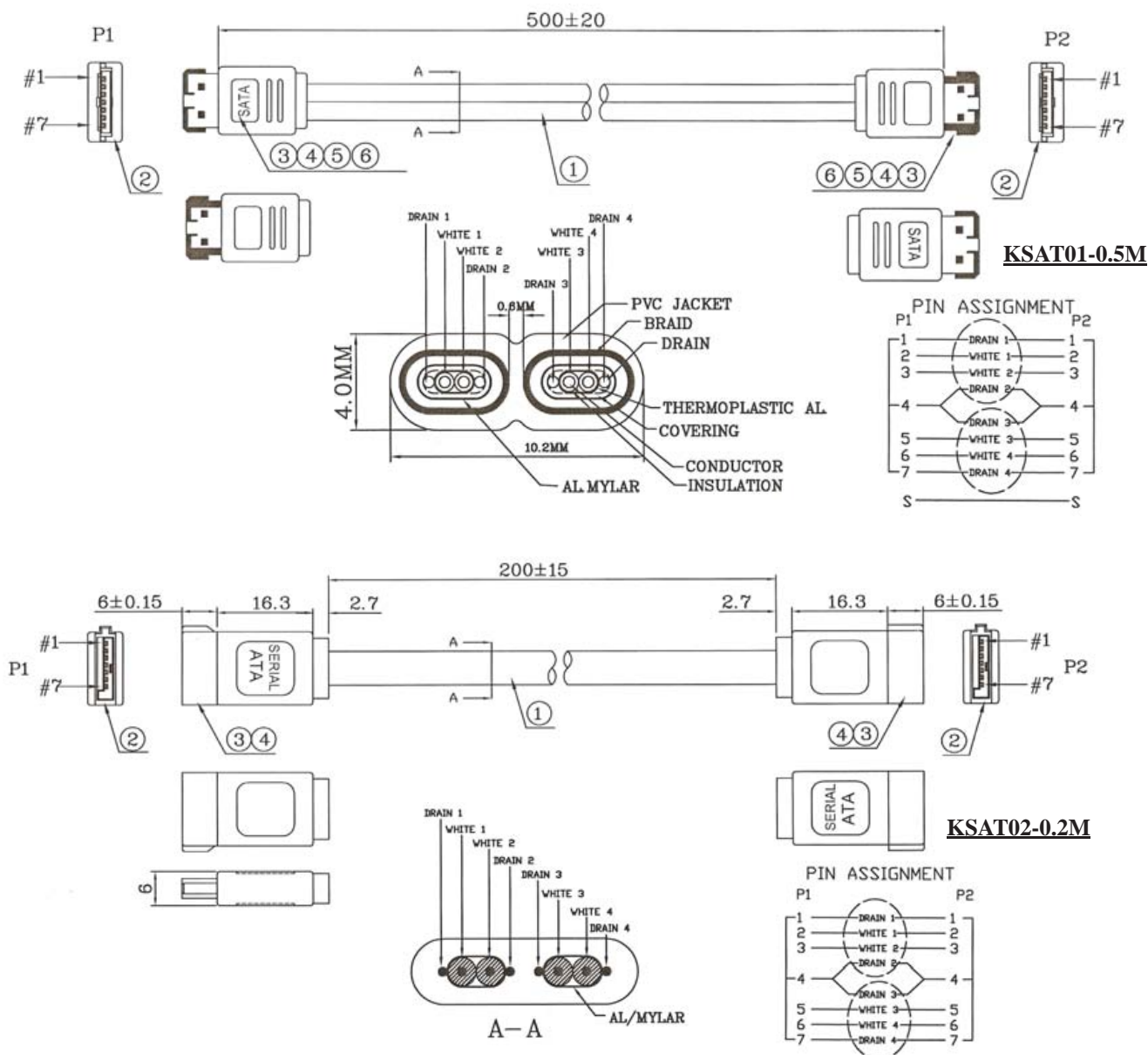


ORDERING INFORMATION:

P/N K S A T $\frac{xx}{1} - \frac{xx}{2}$ M

1. CONNECTORS AT 2 ENDS:
 "13" 2*SATA 7 PIN FEMALE WITH BRACKET TO
 2*SATA 7 PIN MALE WITH METAL SHELL
 "17" DITTO, BUT WITH TOP PIN #1
2. CABLE LENGTH IN METER:
 0.15M, 0.3M, 0.5M, 1M,...etc.

SERIAL ATA 7 PIN SIGNAL CABLE



ORDERING INFORMATION:

P/N **K S A T** xx - xx **M**

1 2

1. CONNECTORS AT 2 ENDS:

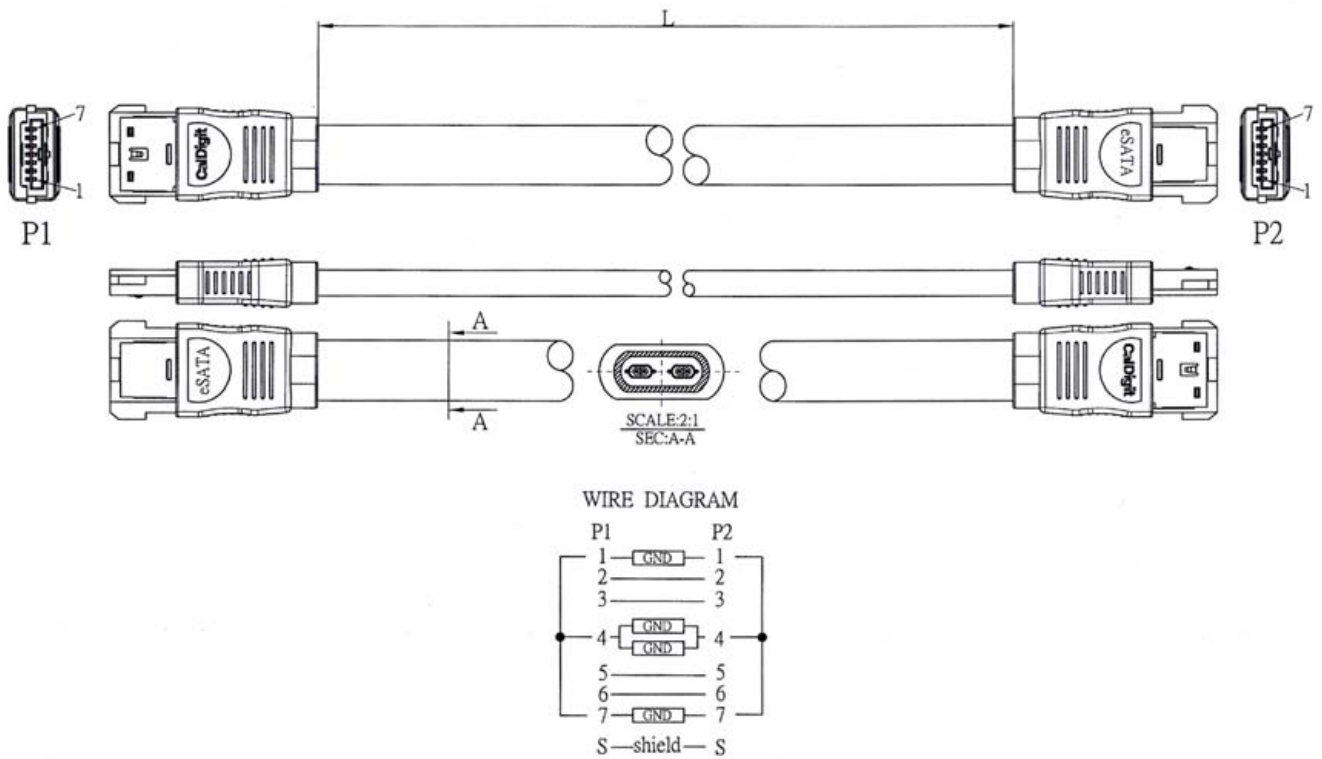
"01" SATA 7 PIN MALE CONNECTOR TO
SATA 7 PIN MALE CONNECTOR

"02" SATA 7 PIN MALE CONNECTOR TO
SATA 7 PIN MALE CONNECTOR

2. CABLE LENGTH IN METER:

0.15M, 0.3M, 0.5M, 1M,...etc.

e SATA 7 PIN MALE TO MALE CABLE

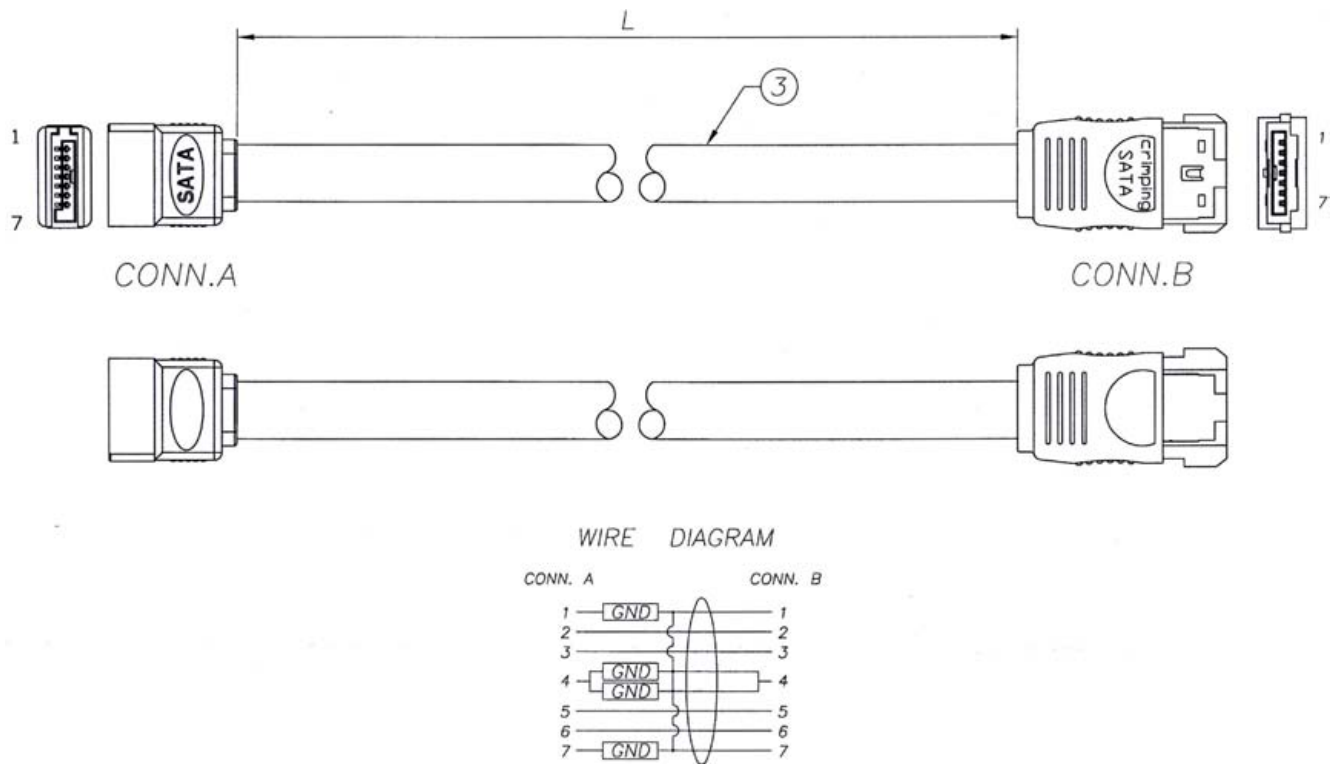


ORDERING INFORMATION:

P/N **K S A T 63 - x x M**

- CONNECTORS AT 2 ENDS:
"63" EXTERNAL SATA 7 PIN MALE TO
EXTERNAL SATA 7 PIN MALE
- CABLE LENGTH L IN METERS:
0.2M, 0.5M, 1M, 2M, ...etc.

e SATA 7 PIN FEMALE TO FEMALE CABLE

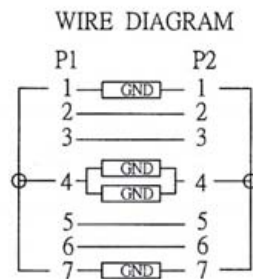
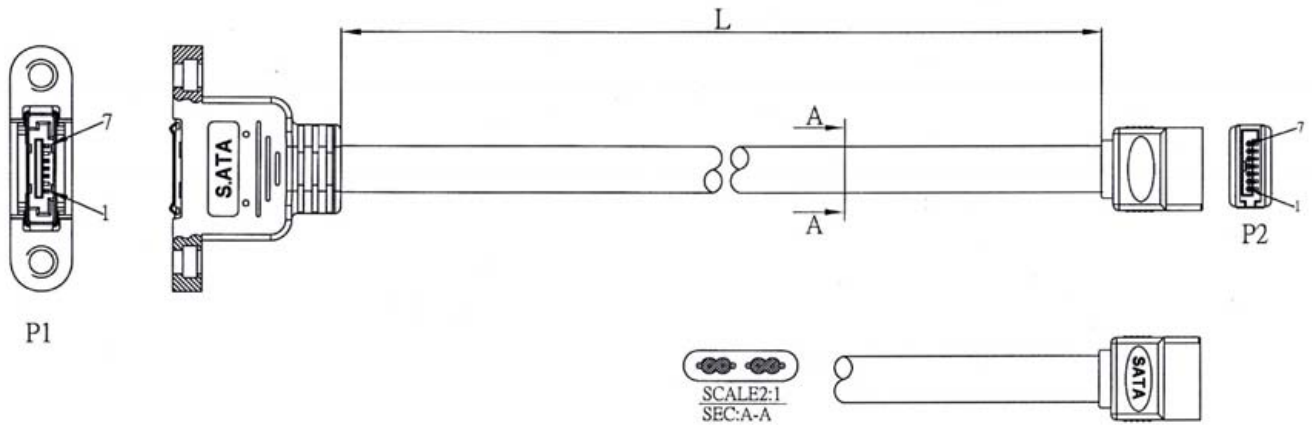


ORDERING INFORMATION:

P/N **K S A T $\frac{64}{1} - \frac{x x M}{2}$**

- CONNECTORS AT 2 ENDS:
"64" EXTERNAL SATA 7 PIN FEMALE TO
SATA 7 PIN FEMALE
- CABLE LENGTH L IN METERS:
0.2M, 0.5M, 1M, 2M, ...etc.

e SATA 7 PIN MALE TO SATA 7 PIN FEMALE I/O CABLE

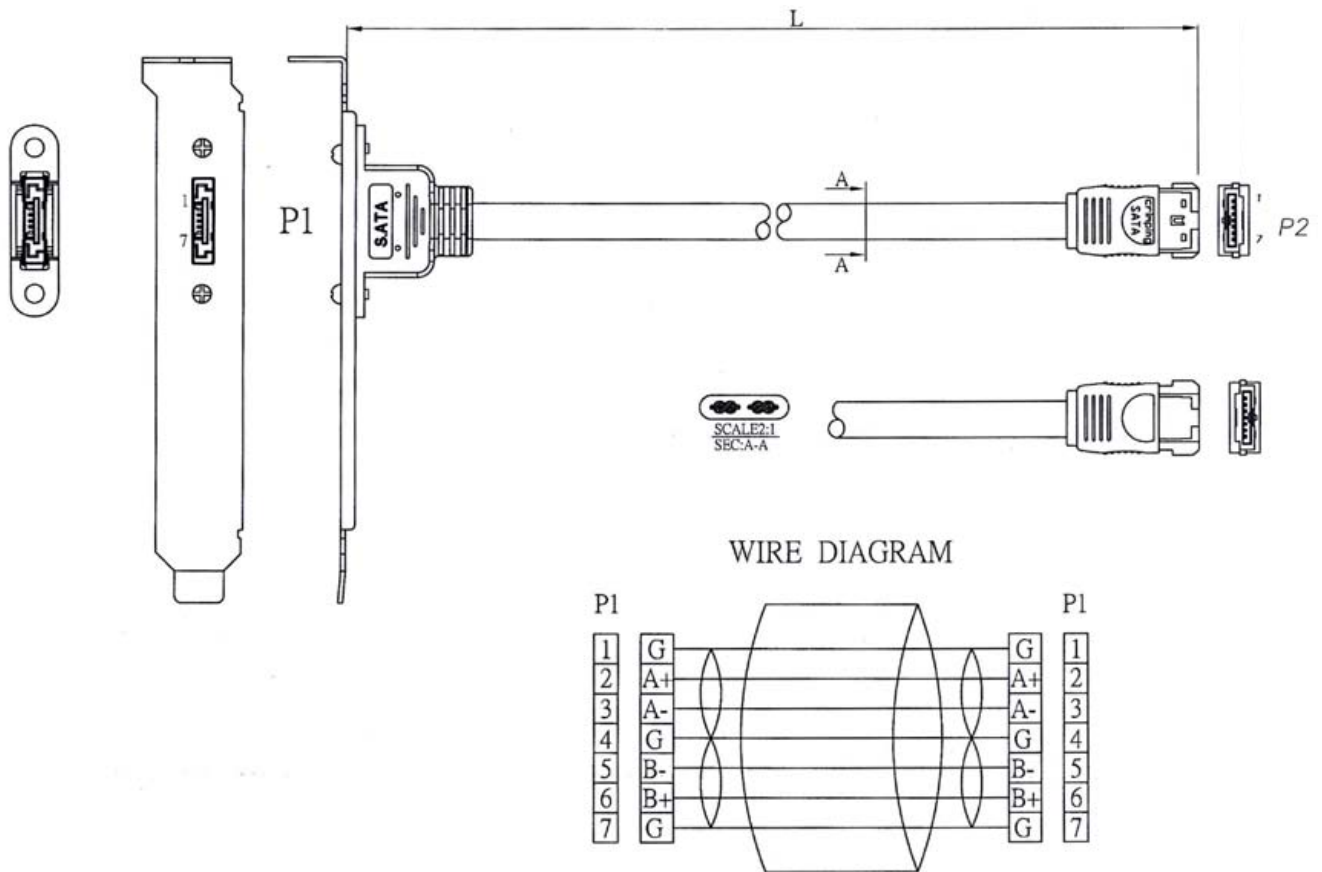


ORDERING INFORMATION:

P/N K S A T $\frac{65}{1} - \frac{x x M}{2}$

- CONNECTORS AT 2 ENDS:
"65" EXTERNAL SATA 7 PIN MALE TO
SATA 7 PIN FEMALE
- CABLE LENGTH L IN METERS:
0.2M, 0.5M, 1M, 2M, ...etc.

e SATA 7 PIN MALE TO FEMALE I/O CABLE

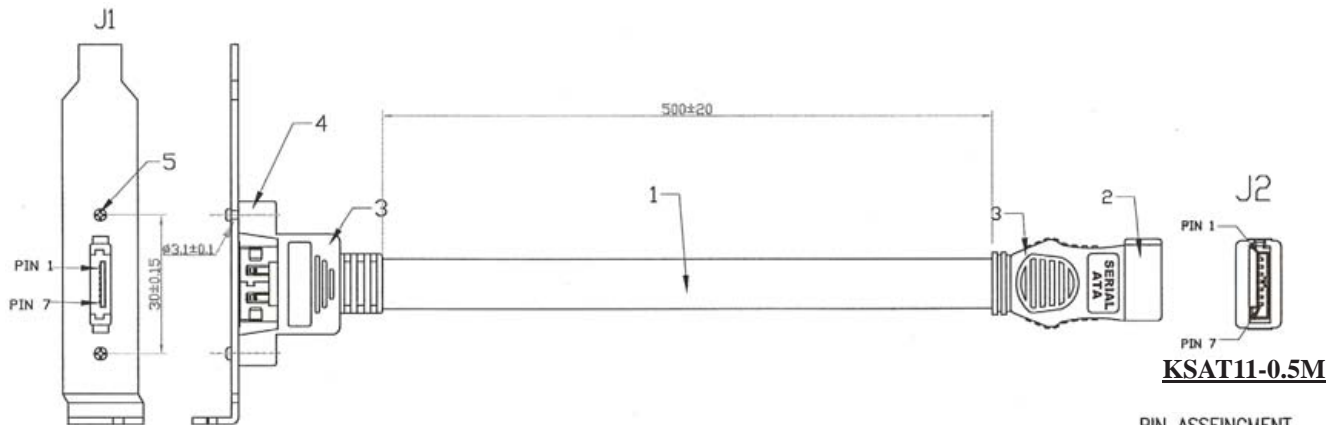


ORDERING INFORMATION:

P/N **K S A T $\frac{66}{1} - \frac{x x}{2} M$**

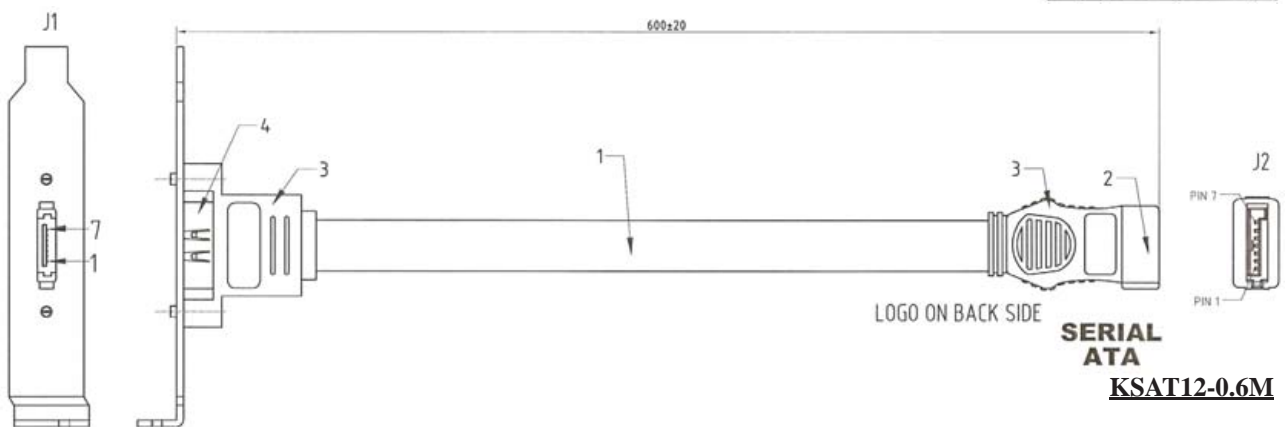
- CONNECTORS AT 2 ENDS:
"66" EXTERNAL SATA 7 PIN MALE WITH BRACKET TO
EXTERNAL SATA 7 PIN FEMALE
- CABLE LENGTH L IN METERS:
0.2M, 0.5M, 1M, 2M, ...etc.

e SATA 7 PIN SIGNAL CABLE WITH BRACKET



PIN ASSEIGNMENT

J1	CABLE	J2
1	(DRAIN 1)GND	1
2	BLUE	2
3	WHITE	3
4	(DRAIN 1+2)GND	4
5	BLUE	5
6	WHITE	6
7	(DRAIN 2)GND	7

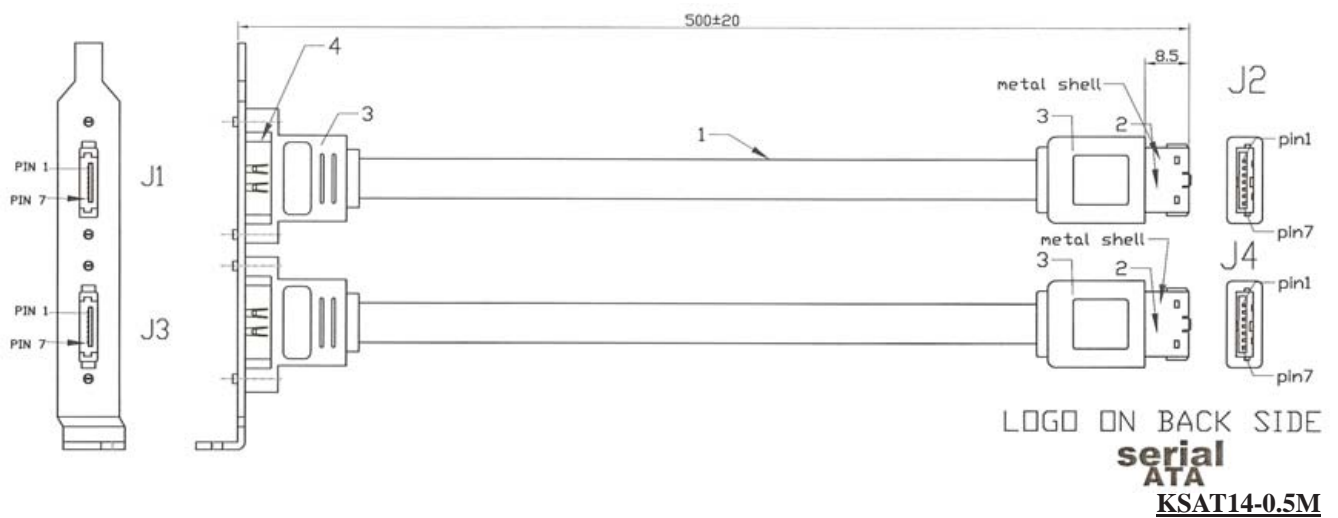


ORDERING INFORMATION:

P/N K S A T $\frac{xx}{1} - \frac{xx}{2}$ M

1. CONNECTORS AT 2 ENDS:
 - "11" EXTERNAL SATA 7 PIN FEMALE WITH BRACKET TO SATA 7 PIN MALE WITH TOP PIN #1
 - "12" EXTERNAL SATA 7 PIN FEMALE WITH BRACKET TO SATA 7 PIN MALE WITH BOTTOM PIN #1
2. CABLE LENGTH IN METER:
 - 0.15M, 0.3M, 0.5M, 1M,...etc.

e SATA 7 PIN SIGNAL CABLE WITH BRACKET



PIN ASSEINGMENT

J1	CABLE	J2	J3	J4
1	(DRAIN 1)GND	1	1	1
2	BLUE	2	2	2
3	WHITE	3	3	3
4	(DRAIN1+2)GND	4	4	4
5	BLUE	5	5	5
6	WHITE	6	6	6
7	(DRAIN 2)GND	7	7	7
8	SHIELD	8	8	8

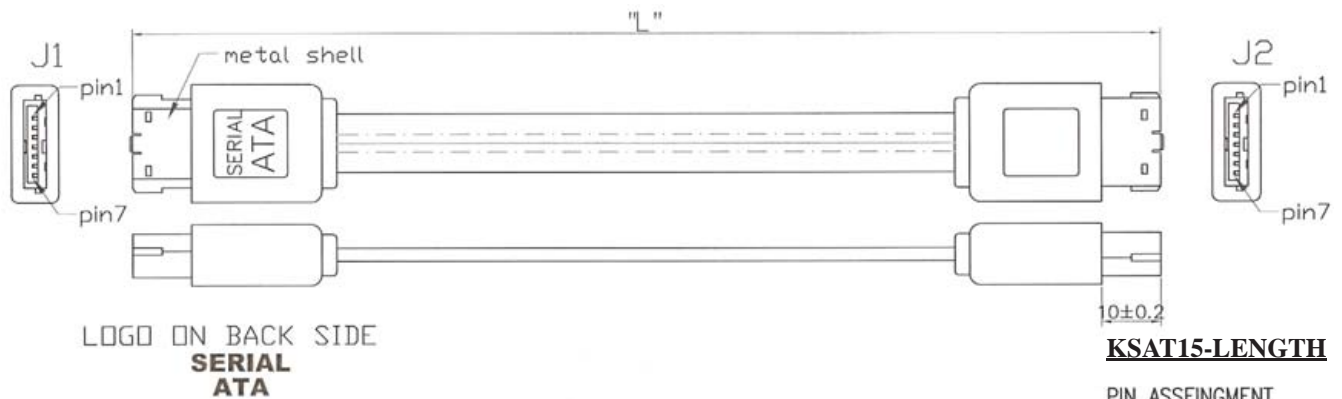
ORDERING INFORMATION:

P/N **KSAT** 14 - xx **M**

1 2

1. CONNECTORS AT 2 ENDS:
"14" 2*EXTERNAL SATA 7 PIN FEMALE WITH BRACKET TO
2*EXTERNAL SATA 7 PIN MALE WITH METAL SHELL
2. CABLE LENGTH IN METER:
0.15M, 0.3M, 0.5M, 1M,...etc.

e SATA 7 PIN SIGNAL CABLE



J1	CABLE	J2
1	<DRAIN 1>GND	1
2	BLUE	2
3	WHITE	3
4	<DRAIN 1+2>GND	4
5	BLUE	5
6	WHITE	6
7	<DRAIN 2>GND	7
8	SHIELDING	8

ORDERING INFORMATION:

P/N K S A T 15 - x x M

1 2

1. CONNECTORS AT 2 ENDS:
"15" EXTERNAL SATA 7 PIN MALE WITH METAL SHELL TO
EXTERNAL SATA 7 PIN MALE WITH METAL SHELL
2. CABLE LENGTH IN METER:
0.15M, 0.3M, 0.5M, 1M,...etc.

