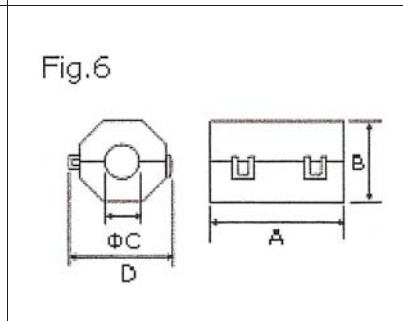
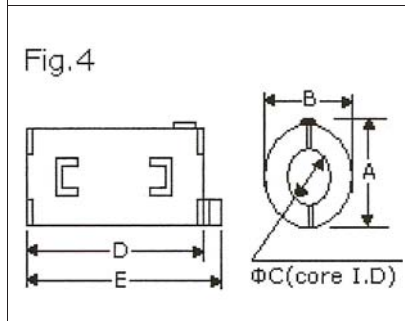
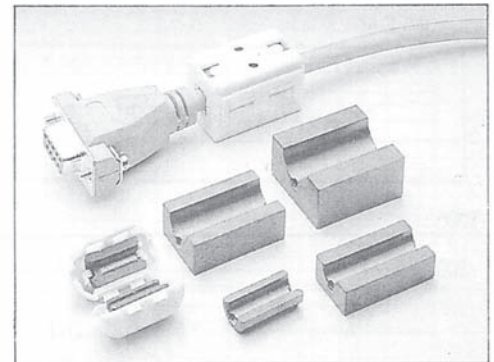
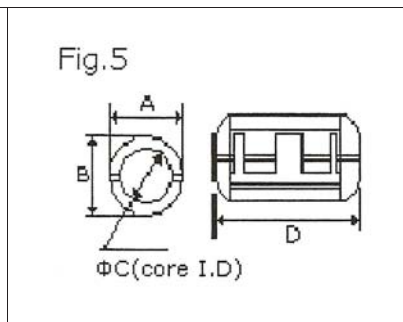
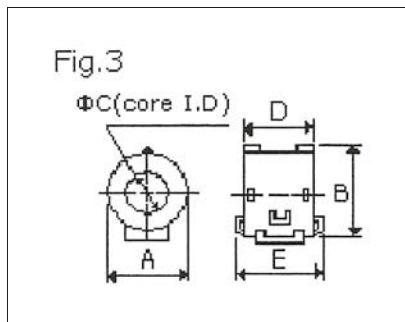


ROUND CABLE EMI SUPPRESSION CORE (1)



FEATURES

Easy installation

Internal dimensions are from 4mm to 15mm radius.

The smooth surface prevents damage to wire insulation.

APPLICATIONS

Internal and external power cables

Internal cables between pc boards and data connectors
Computer peripherals, for example digital camera, DVD,
fax machine, monitor, printer, and power supply cables.

All materials must be RoHS compliant.

Part No.	Fig.	A (±1)	B (±1)	C (±1)	D (±1)	E (±1)	Impedance (Ω) Min		Use Cable Dia. Max
							25 MHz	100 MHz	
CORER-035B	5	15.0	15.0	4.0	25.2	---	55	95	Φ4
CORER-050B	5	16.5	16.5	5.2	29.5	---	70	120	Φ5
CORER-060B	6	18.5	14.0	6.0	15.5	---	60	80	Φ6
CORER-070B	4	15.5	14.0	7.0	18.0	22.0	40	75	Φ7
CORER-075B	5	21.0	21.0	7.5	39.0	---	90	150	Φ7.5
CORER-080B	3	19.5	23.0	8.1	20.0	26.0	50	110	Φ8
CORER-090B	4	20.5	19.5	9.0	31.5	35.5	80	130	Φ9
CORER-095B	5	22.5	22.5	9.5	43.0	---	105	190	Φ9.5
CORER-100B	3	24.5	28.5	10.2	13.5	20.0	35	75	Φ10
CORER-110B	4	20.5	21.0	11.0	32.0	36.0	60	110	Φ11
CORER-120B	3	28.0	32.0	11.5	18.0	24.0	50	100	Φ11.5
CORER-130B	4	31.5	30.5	13.0	34.0	39.5	80	130	Φ13
CORER-150B	3	29.0	33.0	15.0	15.5	21.5	30	70	Φ15

ORDERING INFORMATION:

P/N CORE R - $\frac{x}{1}$ $\frac{xx}{2}$ $\frac{x}{3}$ B

1. FERRITE CORE TYPE:

"R" ROUND TYPE (Fig. 3, 4, 5, 6)

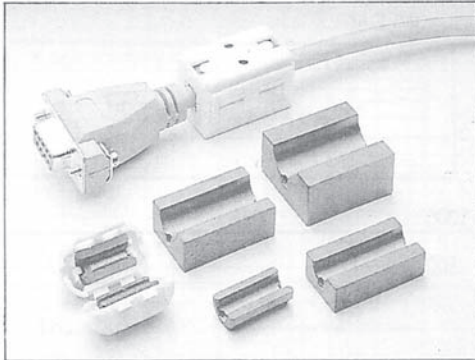
2. APPLICABLE CABLE Φ:

"035" Φ4mm "095" Φ9.5mm
 "050" Φ5mm "100" Φ10mm
 "060" Φ6mm "110" Φ11mm
 "070" Φ7mm "120" Φ12mm
 "075" Φ7.5mm "130" Φ13mm
 "080" Φ8mm "150" Φ15mm
 "090" Φ9mm

3. COLOR OF FERRITE CORE:

"B" BLACK

ROUND CABLE EMI SUPPRESSION CORE (2)

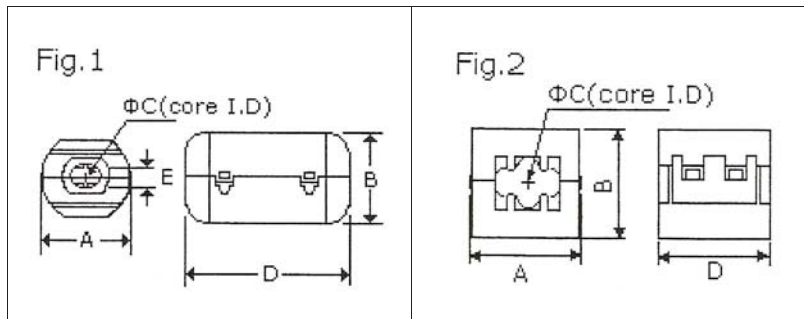


FEATURES

Easy installation
Internal dimensions are from 4mm to 15mm radius.
The smooth surface prevents damage to wire insulation.

APPLICATIONS

Internal and external power cables
Internal cables between pc boards and data connectors
Computer peripherals, for example digital camera, DVD, fax machine, monitor, printer, and power supply cables.
All materials must be RoHS compliant.



Part No.	Fig.	A (±1)	B (±1)	C (±0.5)	D (±1)	E (±1)	Impedance (Ω) Min		Use Cable Dia. Max
							25 MHz	100 MHz	
COREH-050B	2	15.0	14.0	5.2	23.0	--	70	120	Φ5
COREQ-050B	1	13.0	11.8	5.0	25.5	2.5	60	100	Φ5
COREH-065B	2	20.5	20.0	6.5	33.0	--	120	200	Φ6.5
COREQ-070B	1	17.0	15.0	7.0	30.0	2.5	70	130	Φ7
COREQ-090B	1	19.5	18.0	9.0	35.0	5.5	80	130	Φ9
COREH-100B	2	25.5	23.5	10.0	33.0	--	80	130	Φ10
COREQ-110B	1	21.0	20.0	11.0	36.0	--	80	170	Φ11
COREH-130B	2	32.5	30.0	13.0	33.0	--	105	170	Φ13
COREQ-130B	1	23.5	22.5	13.0	36.0	8.5	70	120	Φ13
COREH-190B	2	29.5	29.4	19.4	42.0	--	90	160	Φ19

ORDERING INFORMATION:

P/N C O R E ₁ - ₂ x x x ₃ B

- FERRITE CORE TYPE:
"H" SQUARE TYPE (Fig. 2)
"Q" ROUND TYPE (Fig. 1)
- APPLICABLE CABLE Φ:
"050" Φ5mm
"065" Φ6.5mm
"070" Φ7mm
"090" Φ9mm
"100" Φ10mm
"110" Φ11mm
"130" Φ13mm
"190" Φ19mm

- COLOR OF FERRITE CORE:
"B" BLACK