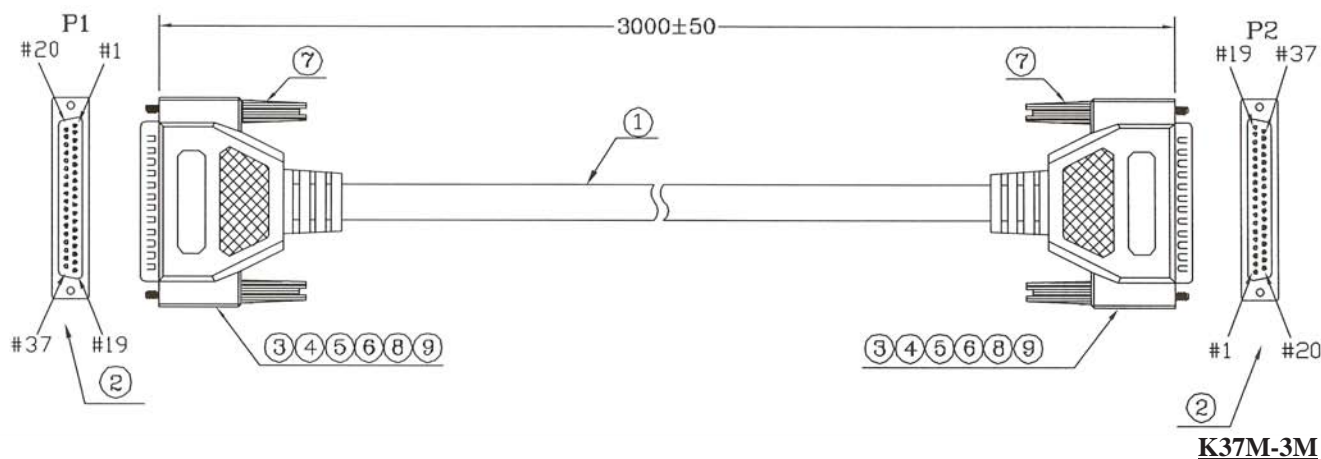
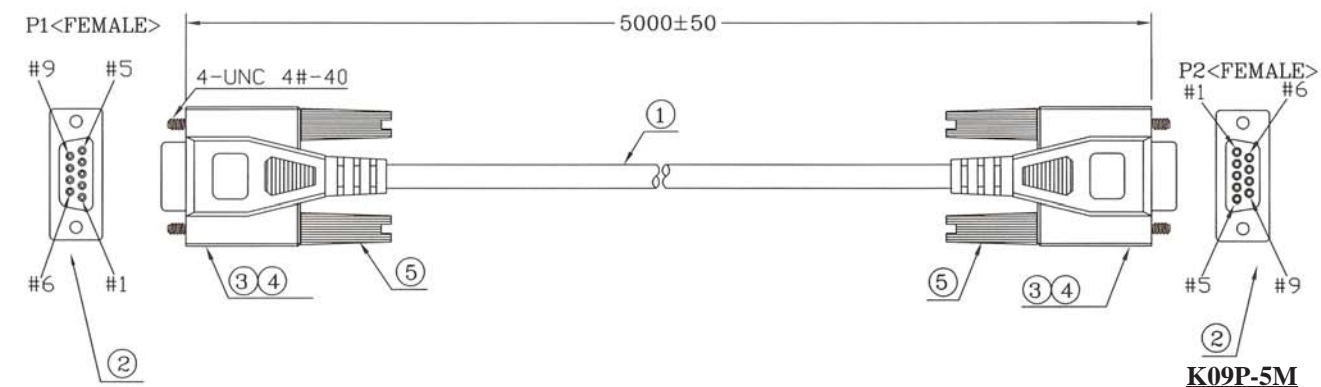


D-SUB. AWG28 & AWG26 SINGLE SHIELDED MOLDED ROUND CABLE WITH THUMB SCREWS



ORDERING INFORMATION:

P/N **K** **x****x****x****x****x** - **x****x****M** **x****x****x**

1 2 3 4 5 6

1. NO. OF CONTACTS:

09, 15, 25, 37, 50

2. CONNECTOR TYPE AT 2 ENDS:

"M" MALE TO MALE, WIRING 1:1 (FULL PINS)

"N" MALE TO FEMALE, WIRING 1:1 (FULL PINS)

"P" FEMALE TO FEMALE, WIRING 1:1 (FULL PINS)

3. CABLE UL STYLE:

" " NON-UL ALU FOIL SHIELDED TYPE

"UL" UL2464 ALU FOIL SHIELDED TYPE

4. LENGTH IN METERS:

1M, 1.8M, 2M, 2.5M, 3M, 5M,...etc.

5. CABLE AWG TYPE:

" " AWG28

"26" AWG26

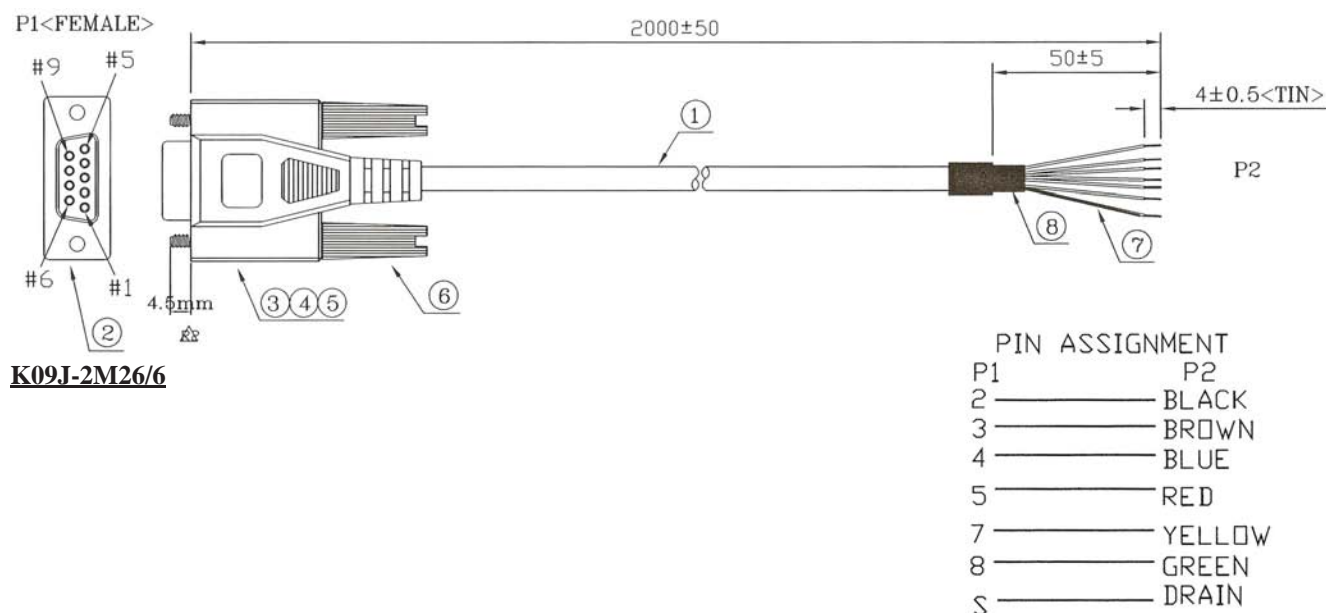
6. CABLE COLOR:

" " BEIGE (STANDARD)

"A" GRAY

"B" BLACK

D-SUB. AWG28 & AWG26 SINGLE SHIELDED MOLDED ROUND CABLE WITH TINNED ENDS



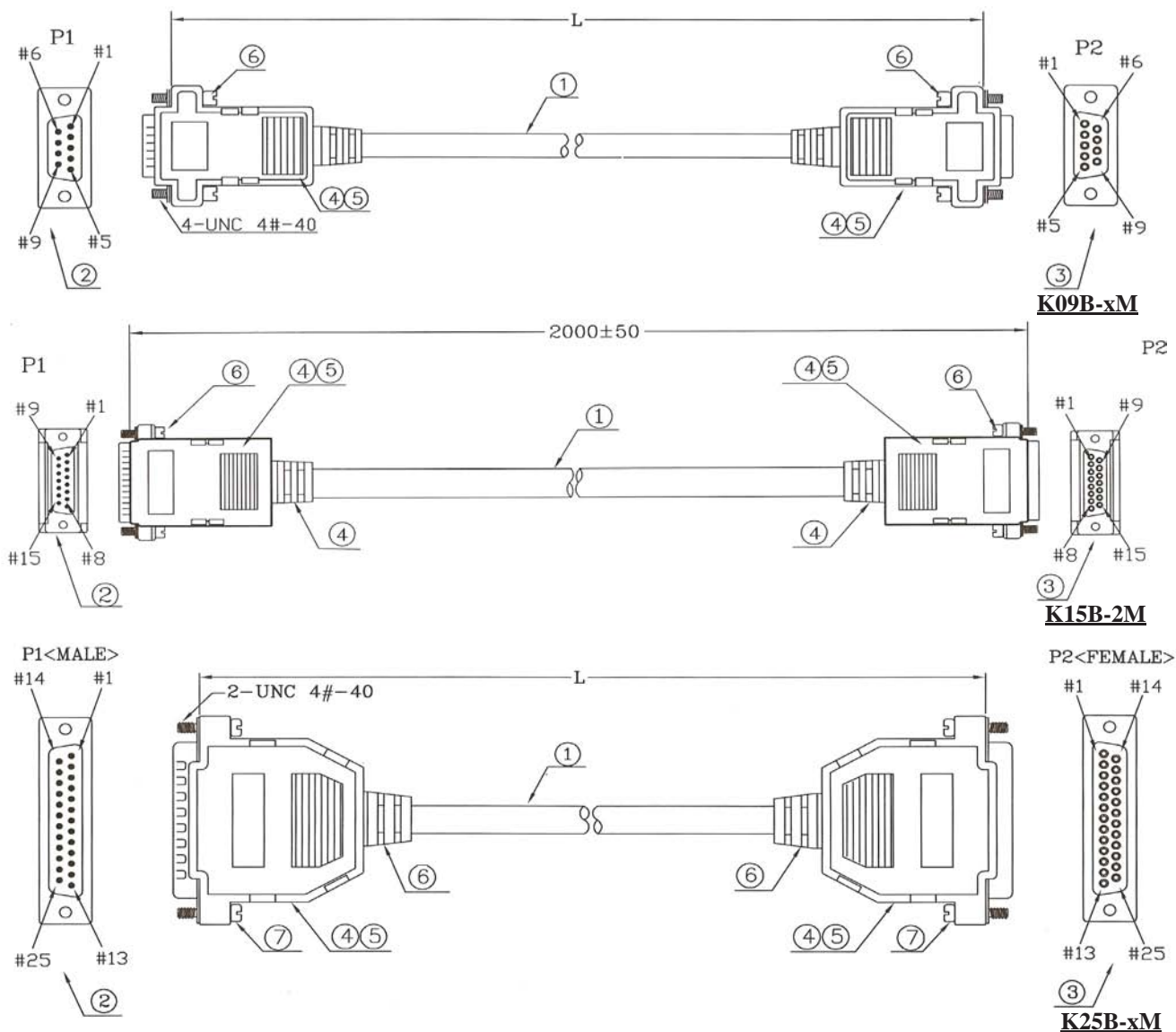
K09J-2M26/6

ORDERING INFORMATION:

P/N K $\frac{\text{X X X X X}}{1 \ 2 \ 3} - \frac{\text{X X}}{4} \text{M} \frac{\text{X X X}}{5 \ 6 \ 7} / \frac{\text{X X}}{7}$

- | | |
|---|--|
| 1. NO. OF CONTACTS:
09, 15, 25, 37, 50 | 5. CABLE AWG TYPE:
" " AWG28
"26" AWG26 |
| 2. CONNECTOR TYPE AT 2 ENDS:
"H" MALE TO TINNED END
"J" FEMALE TO TINNED END | 6. CABLE COLOR:
" " BEIGE (STANDARD)
"A" GRAY
"B" BLACK |
| 3. CABLE UL STYLE:
" " NON-UL ALU FOIL SHIELDED TYPE
"UL" UL2464 ALU FOIL SHIELDED TYPE | 7. NO. OF WIRES:
"9W" 9 WIRES
"6W" 6 WIRES |
| 4. LENGTH IN METERS:
1M, 1.8M, 2M, 2.5M, 3M, 5M,...etc. | |

D-SUB. AWG28 & AWG26 SINGLE SHIELDED ASSEMBLED ROUND CABLE WITH SHORT SCREWS



ORDERING INFORMATION:

P/N **K** **x** **x** **x** **x** **x** - **x** **x** **M** **x** **x** **x**

1 2 3 4 5 6

1. NO. OF CONTACTS:

09, 15, 25, 37

2. CONNECTOR TYPE AT 2 ENDS:

"A" MALE TO MALE, WIRING 1:1 (FULL PINS)

"B" MALE TO FEMALE, WIRING 1:1 (FULL PINS)

"C" FEMALE TO FEMALE, WIRING 1:1 (FULL PINS)

3. CABLE UL STYLE:

" " NON-UL ALU FOIL SHIELDED TYPE

"UL" UL2464 ALU FOIL SHIELDED TYPE

4. LENGTH IN METERS:

1M, 1.8M, 2M, 2.5M, 3M, 5M,...etc.

5. CABLE AWG TYPE:

" " AWG28

" " AWG26

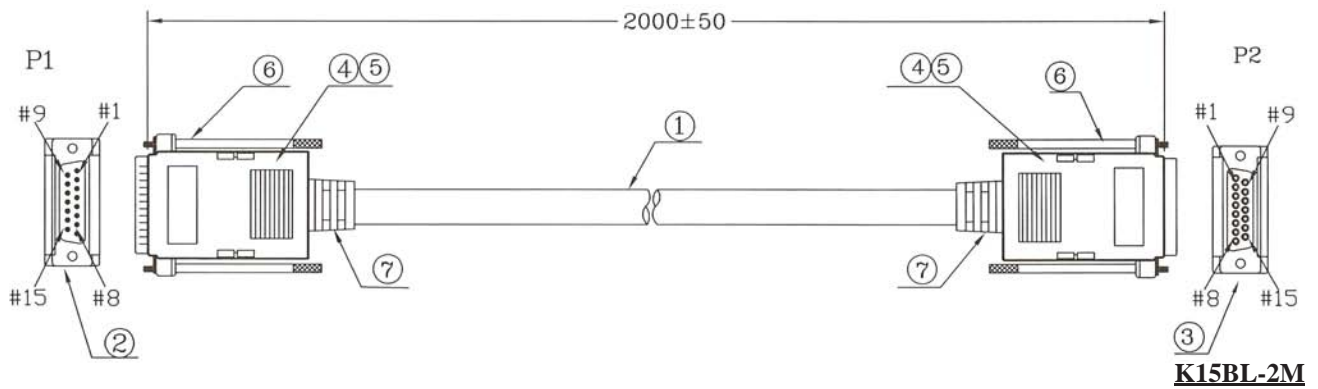
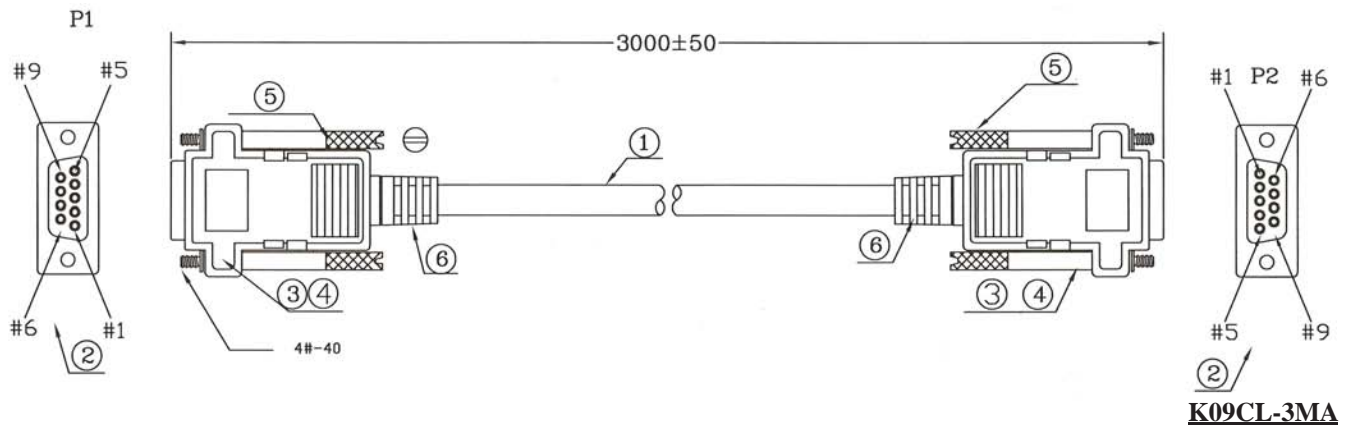
6. CABLE COLOR:

" " BEIGE (STANDARD)

"A" GRAY

"B" BLACK

D-SUB. AWG28 & AWG26 SINGLE SHIELDED ASSEMBLED ROUND CABLE WITH THUMB SCREWS



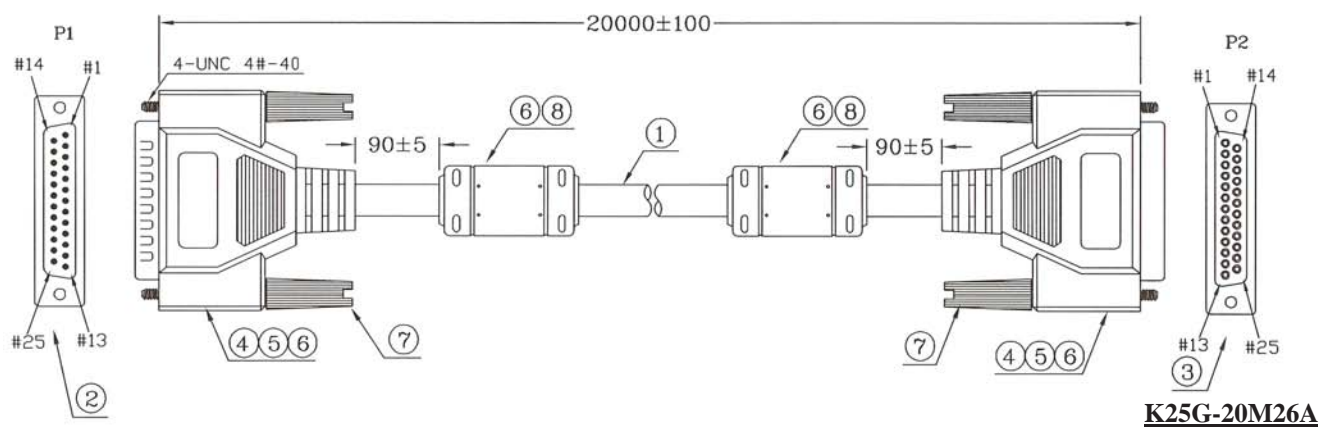
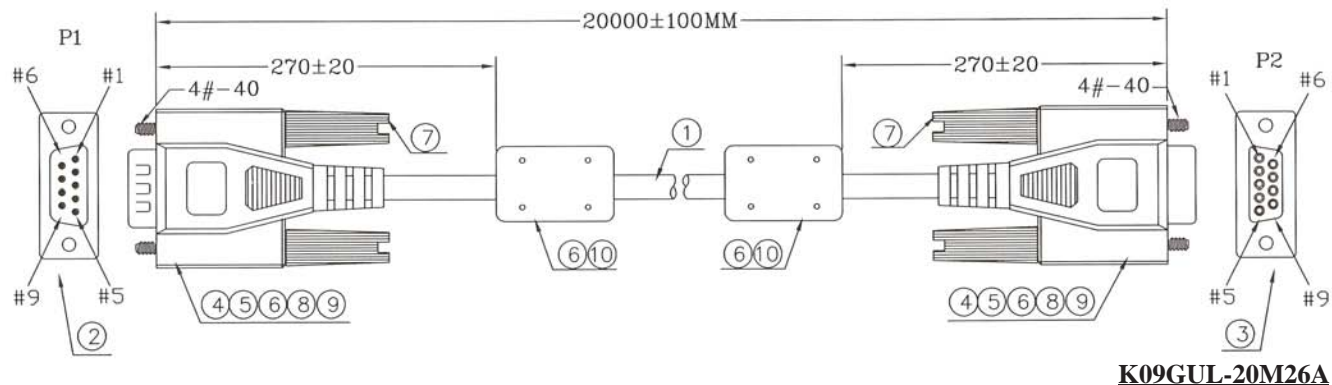
ORDERING INFORMATION:

P/N **K** **x** **x** **x** **x** **x** **x** - **x** **x** **M** **x** **x** **x**

1 2 3 4 5 6

- | | |
|---|---|
| <p>1. NO. OF CONTACTS:
09, 15, 25, 37</p> <p>2. CONNECTOR TYPE AT 2 ENDS:
"AL" MALE TO MALE, WIRING 1:1 (FULL PINS)
"BL" MALE TO FEMALE, WIRING 1:1 (FULL PINS)
"CL" FEMALE TO FEMALE, WIRING 1:1 (FULL PINS)</p> <p>3. CABLE UL STYLE:
" " NON-UL ALU FOIL SHIELDED TYPE
"UL" UL2464 ALU FOIL SHIELDED TYPE</p> <p>4. LENGTH IN METERS:
1M, 1.8M, 2M, 2.5M, 3M, 5M,...etc.</p> | <p>5. CABLE AWG TYPE:
" " AWG28
"26" AWG26</p> <p>6. CABLE COLOR:
" " BEIGE (STANDARD)
"A" GRAY
"B" BLACK</p> |
|---|---|

D-SUB. AWG28 & AWG26 SINGLE SHIELDED MOLDED ROUND CABLE WITH 2* FERRITE CORES

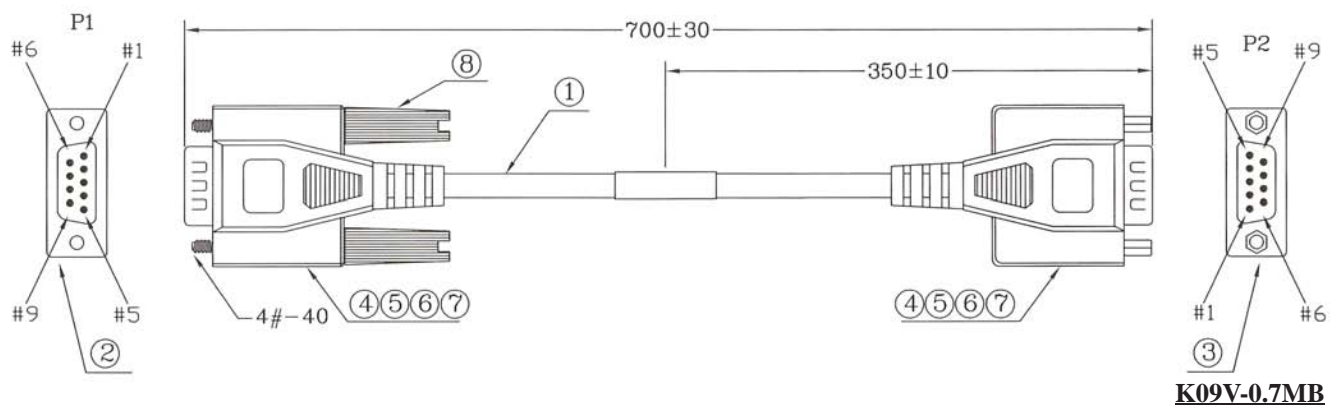


ORDERING INFORMATION:

P/N **K** 1 2 3 4 5 6

- | | |
|--|---|
| <p>1. NO. OF CONTACTS:
09, 15, 25, 37</p> <p>2. CONNECTOR TYPE AT 2 ENDS:
"G" MALE TO FEMALE, WIRING 1:1 (FULL PINS)</p> <p>3. CABLE UL STYLE:
" " NON-UL ALU FOIL SHIELDED TYPE
"UL" UL2464 ALU FOIL SHIELDED TYPE</p> <p>4. LENGTH IN METERS:
1M, 1.8M, 2M, 2.5M, 3M, 5M,...etc.</p> | <p>5. CABLE AWG TYPE:
" " AWG28 WITH 2 FERRITE CORES
"26" AWG26 WITH 2 FERRITE CORES</p> <p>6. CABLE COLOR:
" " BEIGE (STANDARD)
"A" GRAY
"B" BLACK</p> |
|--|---|

D-SUB. AWG28 & AWG26 SINGLE SHIELDED MOLDED ROUND CABLE WITH NUTS & THUMB SCREWS

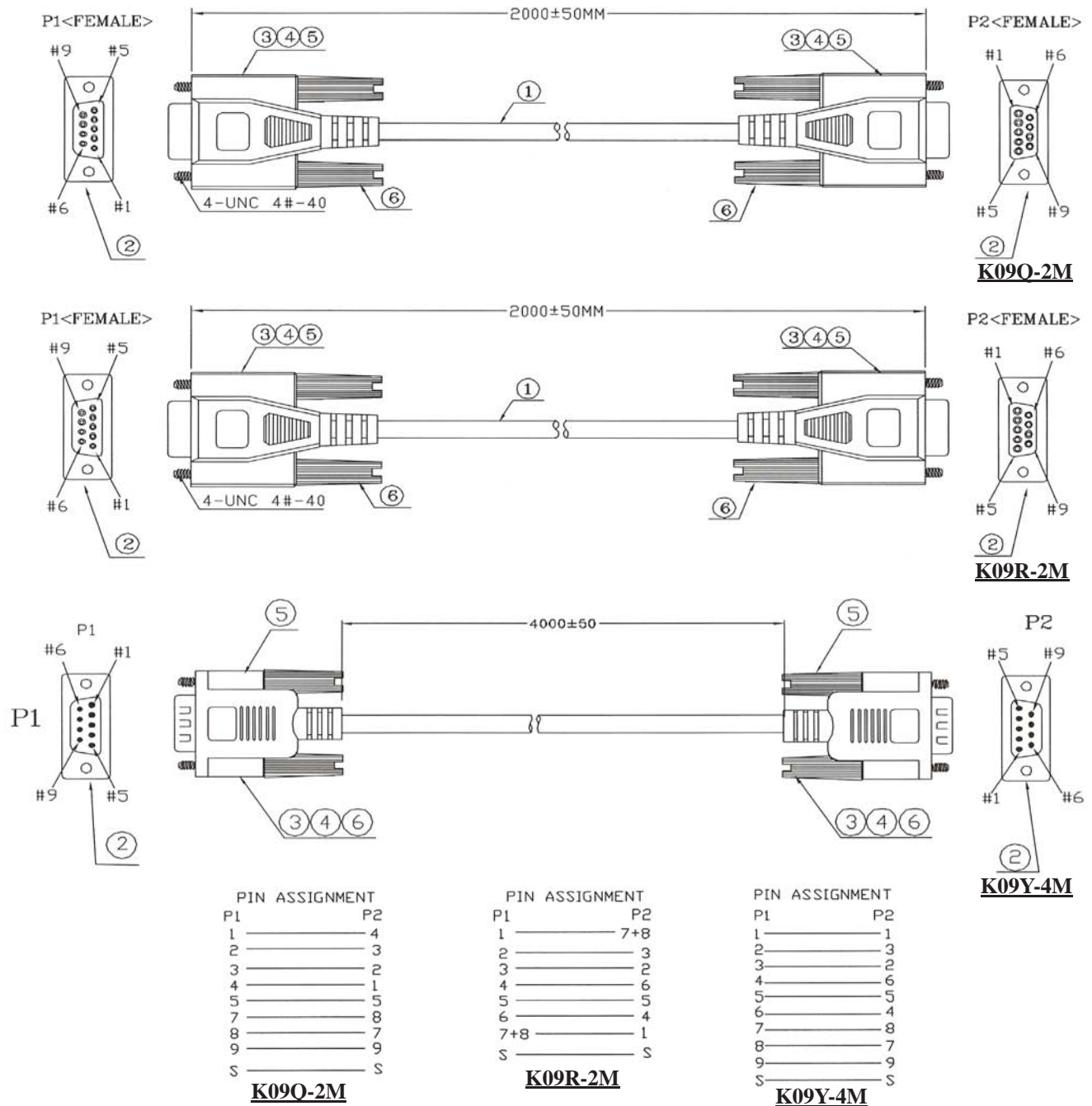


ORDERING INFORMATION:

P/N **K** 1 2 3 - 4 5 6 **M** **X** **X** **X**

- | | |
|---|---|
| <p>1. NO. OF CONTACTS:
09, 15, 25</p> <p>2. CONNECTOR TYPE AT 2 ENDS:
"V" MALE WITH THUMB SCREWS TO MALE
WITH UNC4-40 NUTS WIRING 1:1
"L" FEMALE WITH THUMB SCREWS TO MALE
WITH UNC4-40 NUTS WIRING 1:1</p> <p>3. CABLE UL STYLE:
" " NON-UL ALU FOIL SHIELDED TYPE
"UL" UL2464 ALU FOIL SHIELDED TYPE</p> <p>4. LENGTH IN METERS:
1M, 1.8M, 2M, 2.5M, 3M, 5M,...etc.</p> | <p>5. CABLE AWG TYPE:
" " AWG28
"26" AWG26</p> <p>6. CABLE COLOR:
" " BEIGE (STANDARD)
"A" GRAY
"B" BLACK</p> |
|---|---|

DB09/DB09 AWG28 MOLDED SINGLE SHIELDED CABLE

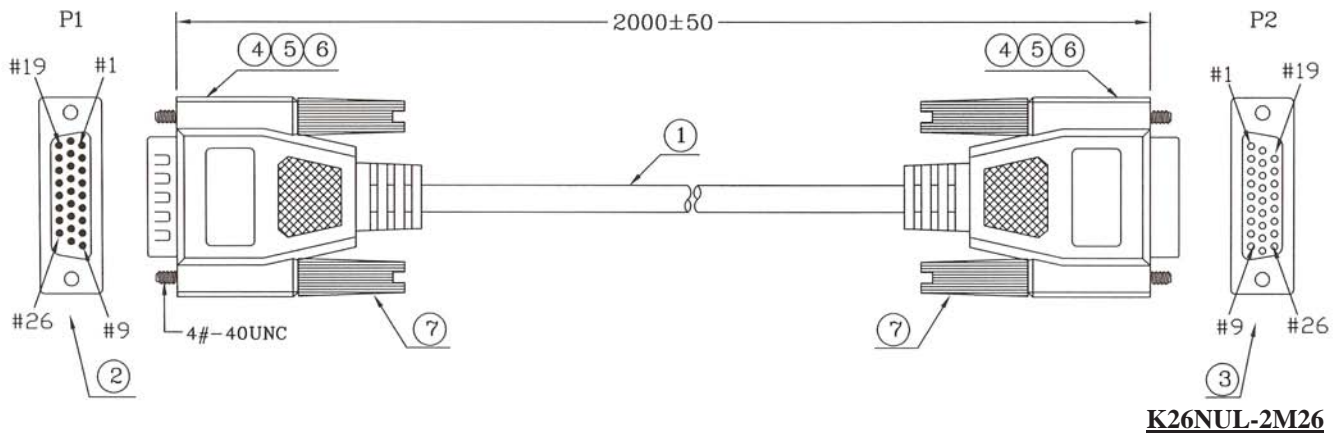
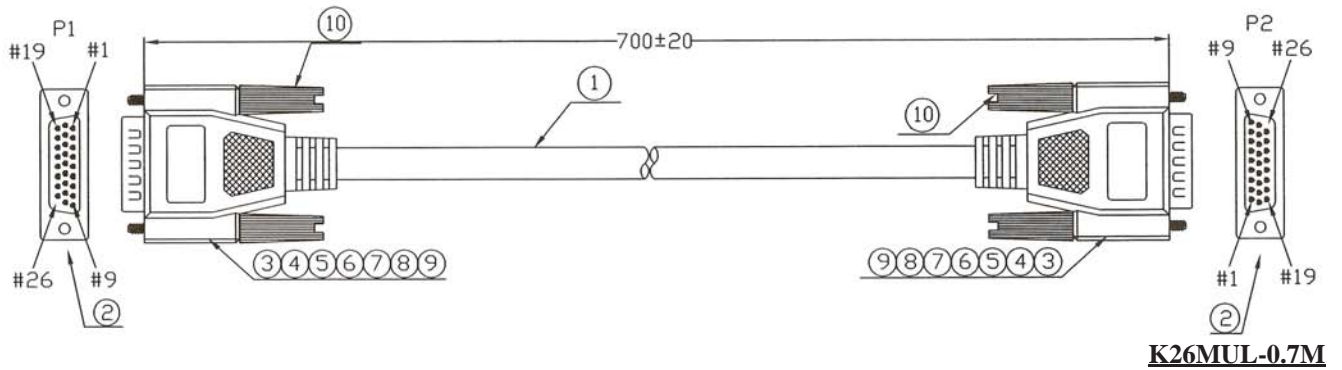


ORDERING INFORMATION:

P/N K 0 9 $\frac{x}{1} - \frac{x x}{2}$ M

- CONNECTORS AT 2 ENDS:
 "Q" DB9F/DB9F MOLDED SINGLE SHIELDED AWG28 LAPLINK CABLE
 "R" DB9F/DB9F MOLDED SINGLE SHIELDED AWG28 NULL MODEN CABLE
 "Y" DB9M/DB9M MOLDED SINGLE SHIELDED AWG28 NULL MODEN CABLE
- CABLE LENGTH IN METERS

HIGH DENSITY D-SUB. AWG28 & AWG26 SINGLE SHIELDED MOLDED ROUND CABLE WITH THUMB SCREWS

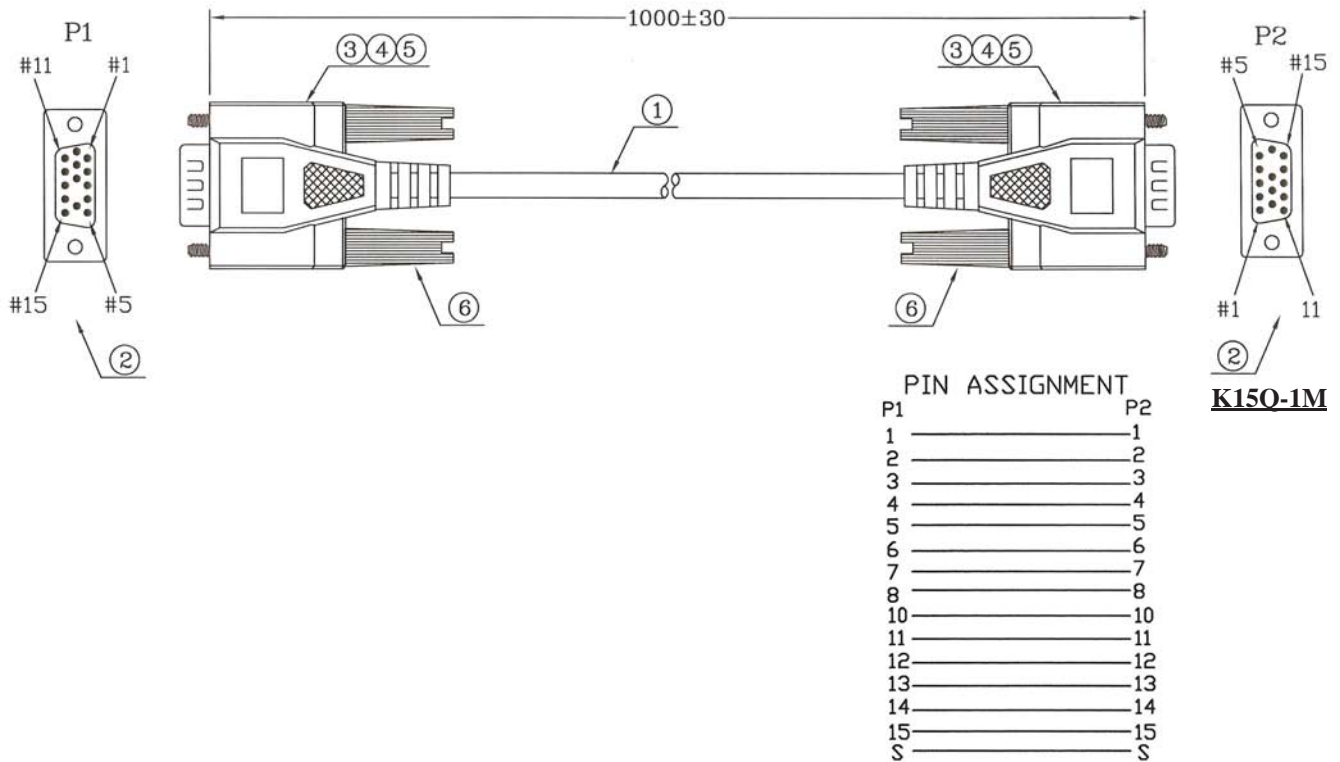


ORDERING INFORMATION:

P/N **K** 1 2 3 4 5 6

- | | |
|---|---|
| <p>1. NO. OF CONTACTS:
26, 44, 62, 78 (HIGH DENSITY D-SUB. TYPE)</p> <p>2. CONNECTOR TYPE AT 2 ENDS:
"M" MALE TO MALE, WIRING 1:1 (FULL PINS)
"N" MALE TO FEMALE, WIRING 1:1 (FULL PINS)
"P" FEMALE TO FEMALE, WIRING 1:1 (FULL PINS)</p> <p>3. CABLE UL STYLE:
" " NON-UL ALU FOIL SHIELDED TYPE
"UL" UL2464 ALU FOIL SHIELDED TYPE</p> <p>4. LENGTH IN METERS:
1M, 1.8M, 2M, 2.5M, 3M, 5M,...etc.</p> | <p>5. CABLE AWG TYPE:
" " AWG28
"26" AWG26</p> <p>6. CABLE COLOR:
" " BEIGE (STANDARD)
"A" GRAY
"B" BLACK</p> |
|---|---|

HIGH DENSITY D-SUB. AWG28 & AWG26 SINGLE SHIELDED MOLDED ROUND CABLE WITH THUMB SCREWS

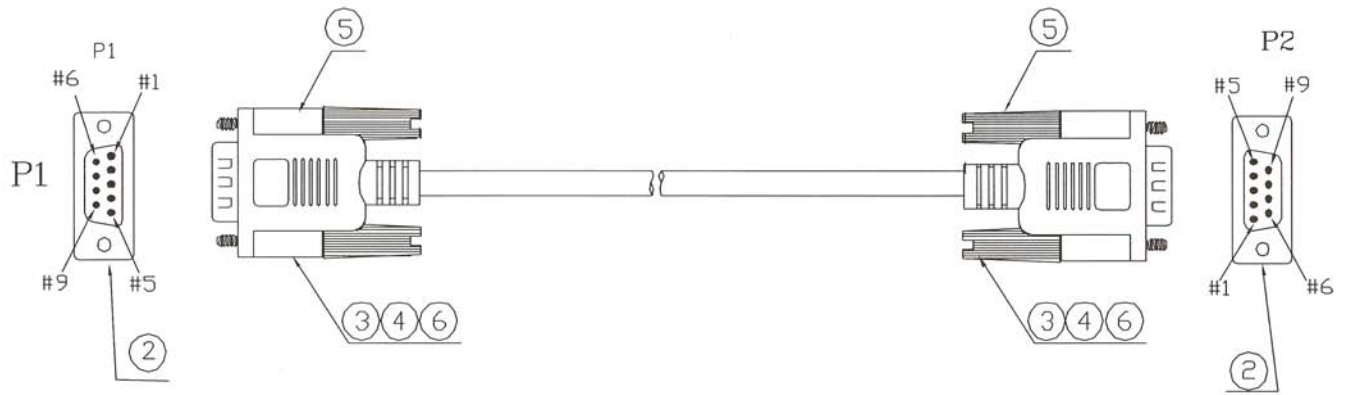


ORDERING INFORMATION:

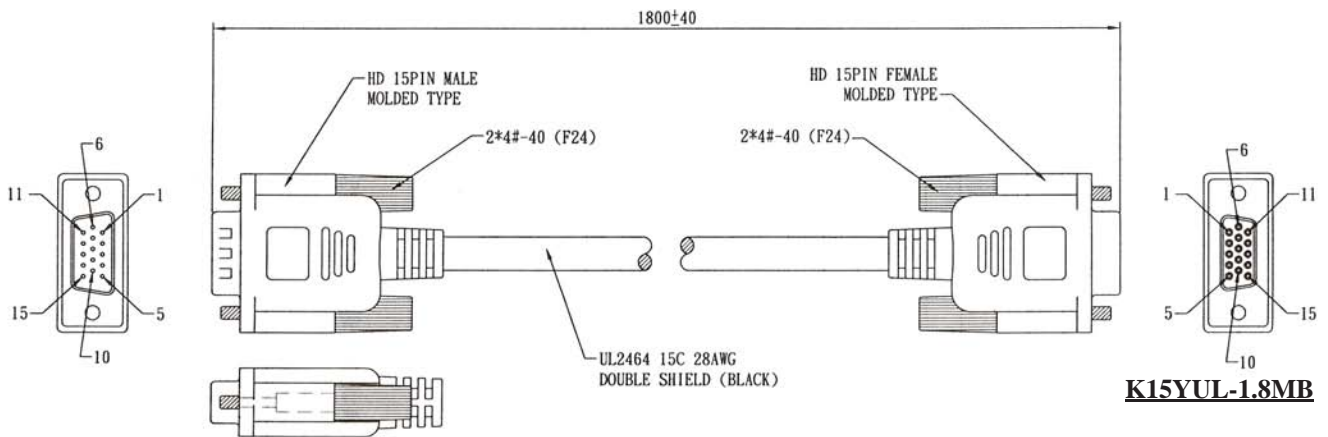
P/N **K** 15xxx - xx**M** xxx

- | | |
|---|---|
| <p>1. NO. OF CONTACTS:
"15" HIGH DENSITY D-SUB. 15 PINS</p> <p>2. CONNECTOR TYPE AT 2 ENDS:
"Q" MALE TO MALE, WIRING 1:1 (PIN #9 EMPTY)
"R" MALE TO FEMALE, WIRING 1:1 (PIN #9 EMPTY)
"S" FEMALE TO FEMALE, WIRING 1:1 (PIN #9 EMPTY)</p> <p>3. CABLE UL STYLE:
" " NON-UL ALU FOIL SHIELDED TYPE
"UL" UL2464 ALU FOIL SHIELDED TYPE</p> <p>4. LENGTH IN METERS:
1M, 1.8M, 2M, 2.5M, 3M, 5M,...etc.</p> | <p>5. CABLE AWG TYPE:
" " AWG28
"26" AWG26</p> <p>6. CABLE COLOR:
" " BEIGE (STANDARD)
"A" GRAY
"B" BLACK</p> |
|---|---|

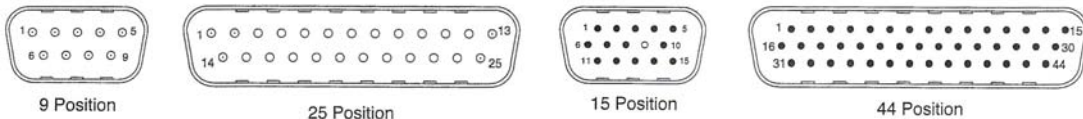
D-SUB. AWG28 & AWG26 SINGLE SHIELDED APPLE MOLDED UL APPROVED ROUND CABLE WITH THUMB SCREWS



K09XUL-xMA



K15YUL-1.8MB



ORDERING INFORMATION:

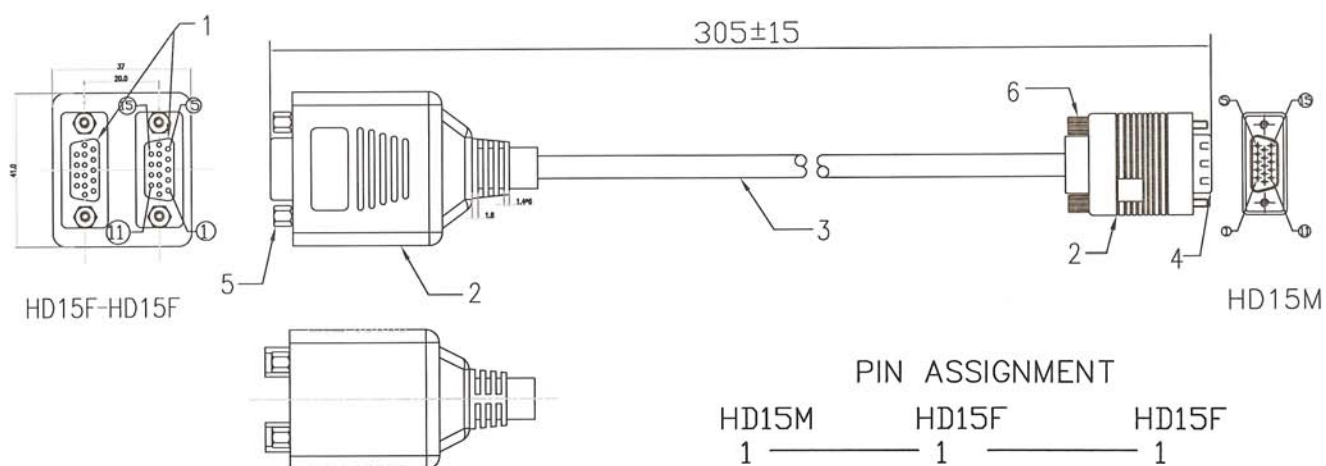
P/N **K** $\frac{x}{1}$ $\frac{x}{2}$ $\frac{x}{3}$ **UL** - $\frac{x}{4}$ $\frac{x}{5}$ $\frac{x}{6}$

1. NO. OF CONTACTS:
FOR DB APPLE TYPE: 09, 25
FOR HD APPLE TYPE: 15, 44
2. CONNECTOR TYPE AT 2 ENDS:
"X" MALE TO MALE, WIRING 1:1
"Y" MALE TO FEMALE, WIRING 1:1
"Z" FEMALE TO FEMALE, WIRING 1:1
3. CABLE UL STYLE:
"UL" UL2464 SHIELDED TYPE
4. LENGTH IN METERS:
1M, 1.8M, 2M, 2.5M, 3M, 5M,...etc.

5. CABLE AWG TYPE:
" " AWG28
"2" AWG26
6. CABLE COLOR:
" " BEIGE (STANDARD)
"A" GRAY
"B" BLACK

NOTE: FOR HD15 cable PIN #9 is not connected.

HIGH DENSITY D-SUB. 15 PIN UL2919/AWG28 SPLITTER CABLE



PIN ASSIGNMENT

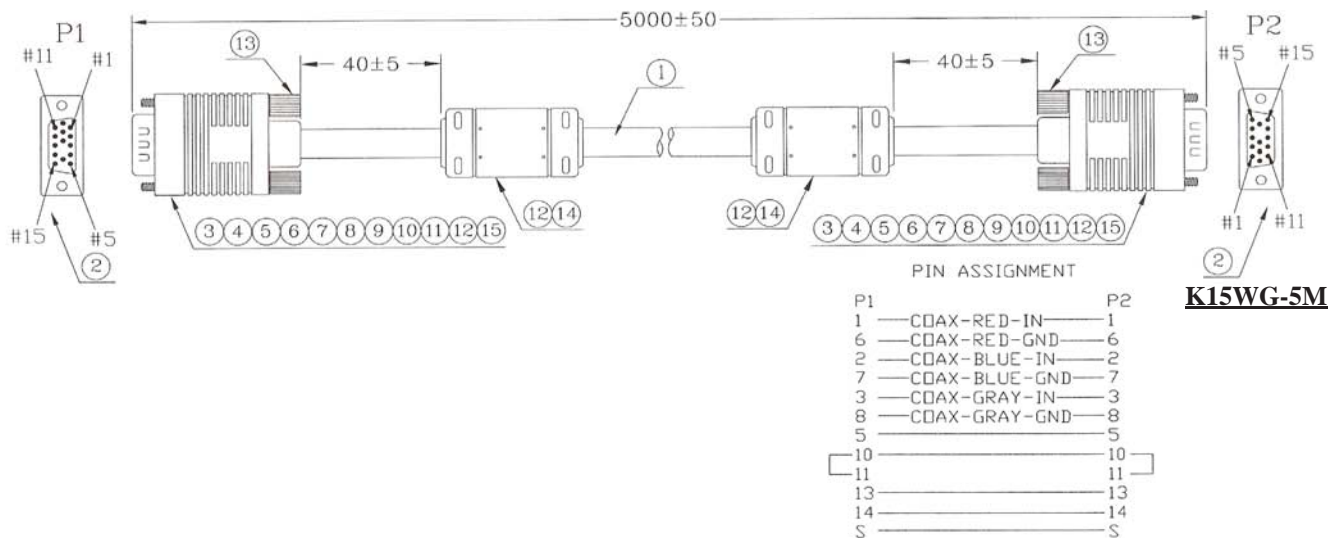
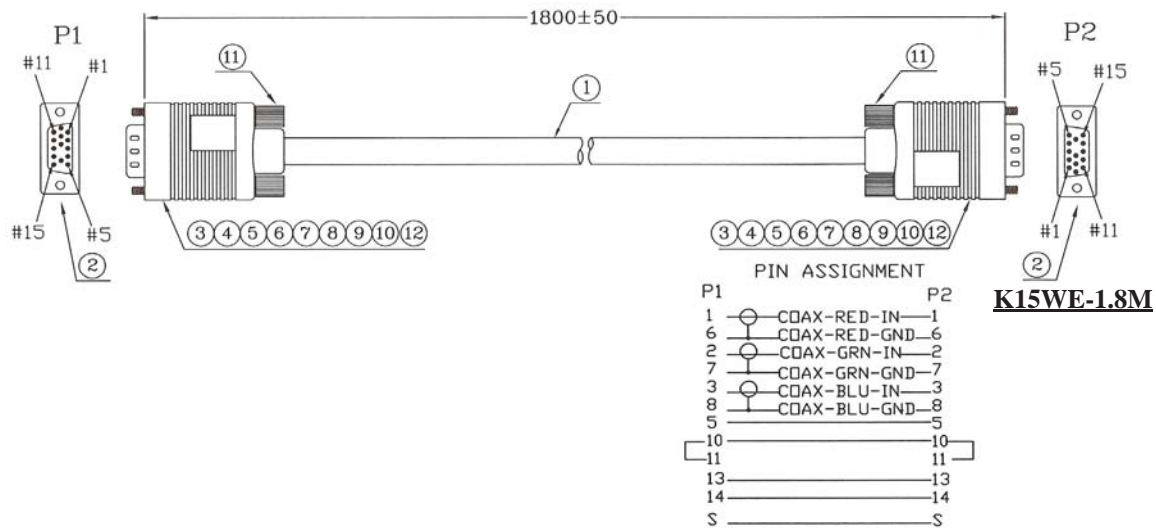
HD15M		HD15F		HD15F
1	————	1	————	1
2	————	2	————	2
3	————	3	————	3
4	————	4	————	4
5	————	5	————	5
6	————	6	————	6
7	————	7	————	7
8	————	8	————	8
9	————	9	————	9
10	————	10	————	10
11	————	11	————	11
12	————	12	————	12
13	————	13	————	13
14	————	14	————	14
15	————	15	————	15
SHELL	————	SHELL	————	SHELL

ORDERING INFORMATION:

P/N K H D 1 5 M F F - x M B
1 2 3

- CONNECTOR TYPES AT 2 ENDS:
"MF" HD15M WITH THUMB SCREWS TO
2*HD15F WITH UNC4-40 NUTS,
PIN OUT 1:1:1
- CABLE LENGTH IN METERS:
0.3M, 0.5M, 1M, 2M,...etc.
- CABLE COLOR:
"B" BLACK

HD15/HD15 RGB MONITOR UL2919/AWG28 DOUBLE SHIELDED CABLE



ORDERING INFORMATION:

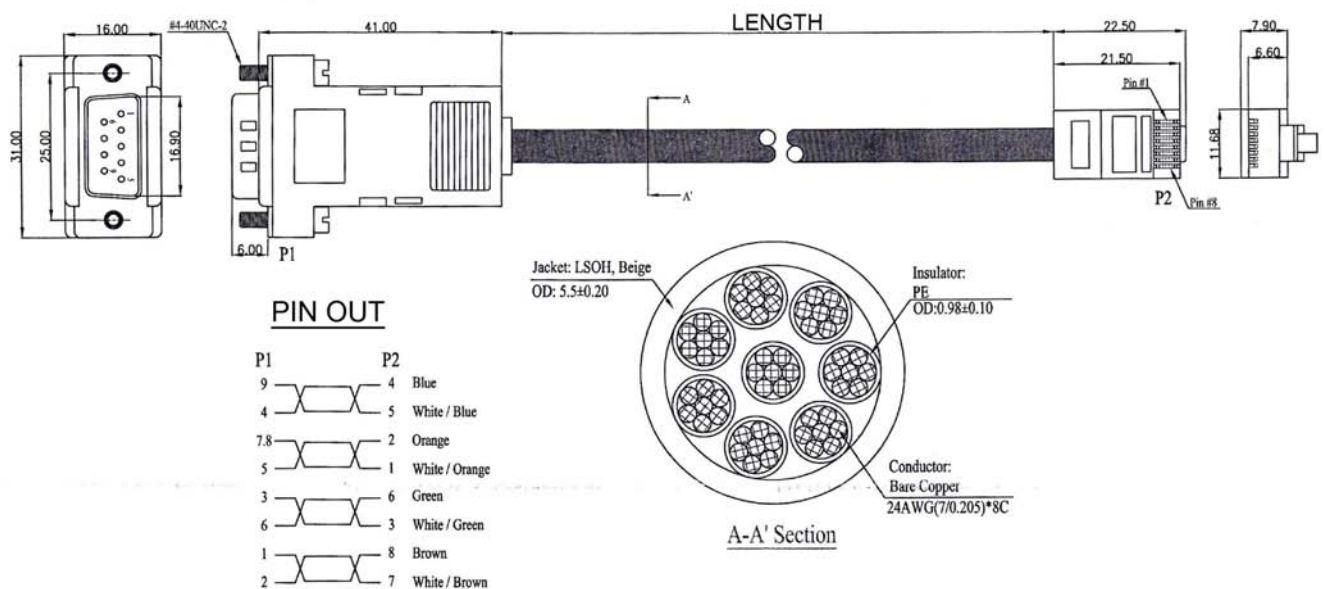
P/N **K 1 5** $\frac{XX}{1}$ - $\frac{XX}{2}$ **M**

1. CONNECTORS AT 2 ENDS:

- "WE" HD15M/HD15M W/O FERRITE CORES
- "WF" HD15M/HD15F W/O FERRITE CORES
- "WG" HD15M/HD15M WITH 2 FERRITE CORES
- "WH" HD15M/HD15F WITH 2 FERRITE CORES

2. CABLE LENGTH IN METERS:

D-SUB. 9 PIN PLUG TO RJ45 MODULAR PLUG CAT. 5 UTP CABLE

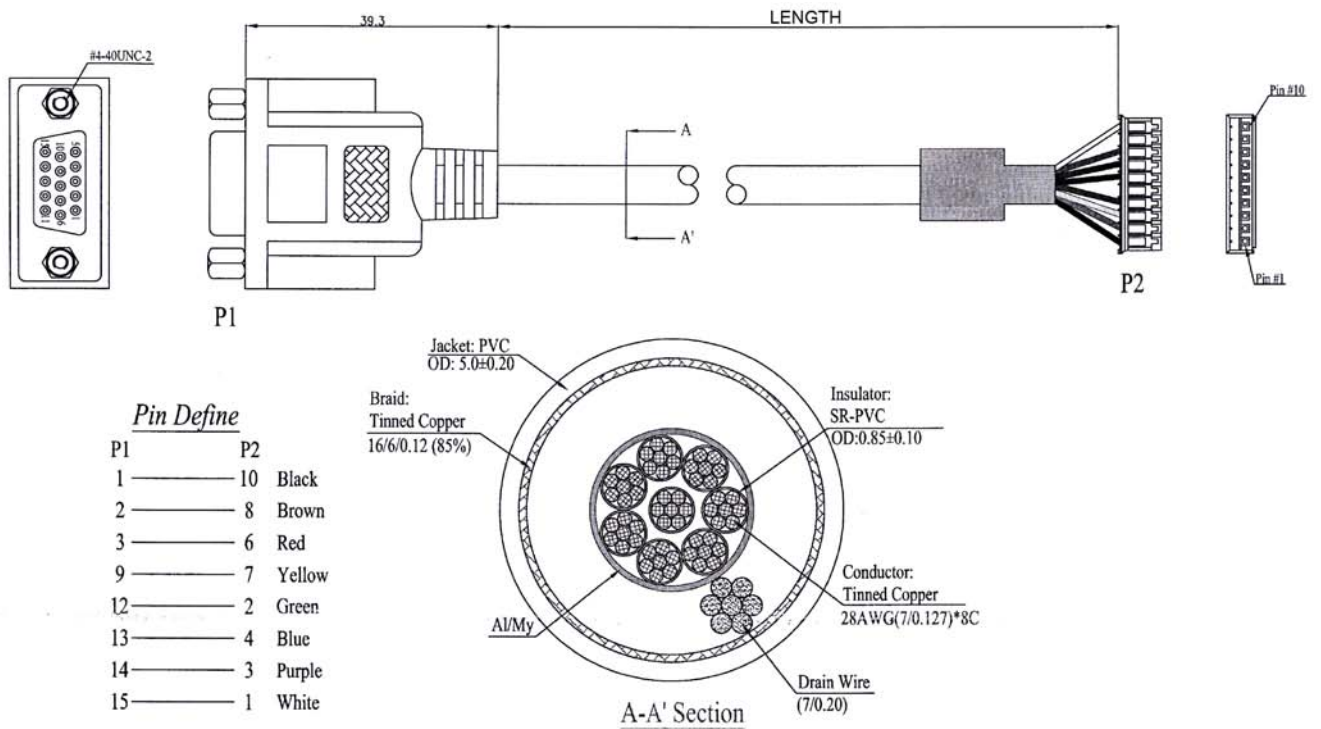


ORDERING INFORMATION:

P/N K09RJ45 - $\frac{x \times M V}{1 \quad 2}$

1. LENGTH IN METERS:
2. CABLE COLOR:
"V" BEIGE

HD15F TO 2.00MM PITCH 10P HOUSING CABLE ASSEMBLY

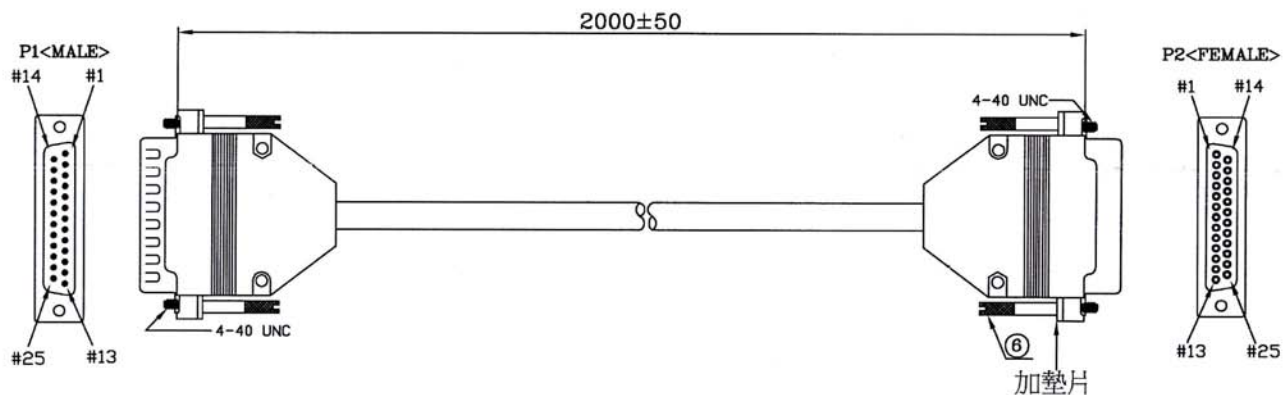


ORDERING INFORMATION:

P/N K H D 1 5 F 1 0 H - x x M

HIGH DENSITY D-SUB. 15 PIN FEMALE TO
2.00MM PITCH 1*10 PIN HOUSING LENGTH IN METERS

D-SUB. AWG28 & AWG26 SINGLE SHIELDED ASSEMBLED ROUND CABLE WITH METAL HOODS AT 2 ENDS



P/N K25MHB-2MUL

ORDERING INFORMATION:

P/N K xx xxx - xx M U L xx

1 2 3 4 5

- | | |
|--|---|
| <p>1. NO. OF CONTACTS:
09, 15, 25, 37</p> <p>2. CONNECTOR TYPE AT 2 ENDS:
"MHA" MALE TO MALE WITH METAL HOODS
"MHB" MALE TO FEMALE WITH METAL HOODS
"MHC" FEMALE TO FEMALE WITH METAL HOODS</p> <p>3. LENGTH IN METERS:
1M, 1.8M, 2M, 3M,...etc.</p> | <p>4. CABLE UL STYLE:
" " NON-UL ALU FOIL SHIELDED TYPE
"UL" UL2464 ALU FOIL SHIELDED TYPE</p> <p>5. CABLE AWG TYPE:
" " AWG28
"26" AWG26</p> |
|--|---|