

DVI & MINI DVI CABLE ASSEMBLY

P/N KDV41-xxMB19 (18+1)
 P/N KDV41-xxMB23 (18+5)
 P/N KDV41-xxMB25 (24+1)
 P/N KDV41-xxMB29 (24+5)
 DVI MALE
 TO DVI MALE



P/N KDV42-xxMB19 (18+1)
 P/N KDV42-xxMB23 (18+5)
 P/N KDV42-xxMB25 (24+1)
 P/N KDV42-xxMB29 (24+5)
 DVI MALE
 TO DVI FEMALE



P/N KDV43-xxMB19 (18+1)
 P/N KDV43-xxMB23 (18+5)
 P/N KDV43-xxMB25 (24+1)
 P/N KDV43-xxMB29 (24+5)
 DVI-I MALE
 TO HDDB 15P MALE



P/N KDV44-xxMB19 (18+1)
 P/N KDV44-xxMB23 (18+5)
 P/N KDV44-xxMB25 (24+1)
 P/N KDV44-xxMB29 (24+5)
 DVI-A MALE
 TO HDDB 15P FEMALE



P/N KDV45-xxMB19 (18+1)
 P/N KDV45-xxMB23 (18+5)
 P/N KDV45-xxMB25 (24+1)
 P/N KDV45-xxMB29 (24+5)
 DVI FEMALE
 TO HDDB 15P MALE



P/N KDV46-xxMB19 (18+1)
 P/N KDV46-xxMB23 (18+5)
 P/N KDV46-xxMB25 (24+1)
 P/N KDV46-xxMB29 (24+5)
 DVI MALE
 TO DVI MALE, METAL SHELL



P/N KMDV81-xxMW
 MINI DVI MALE
 TO HDMI FEMALE



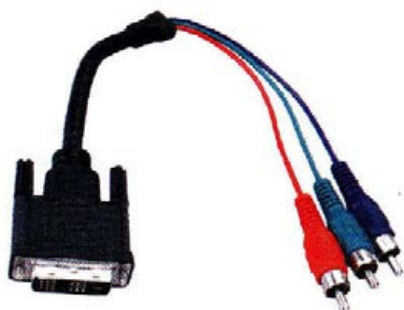
P/N KMDV82-xxMW
 MINI DVI MALE
 TO VGA FEMALE



P/N KMDV83-xxMW
 MINI DVI MALE
 TO DVI FEMALE



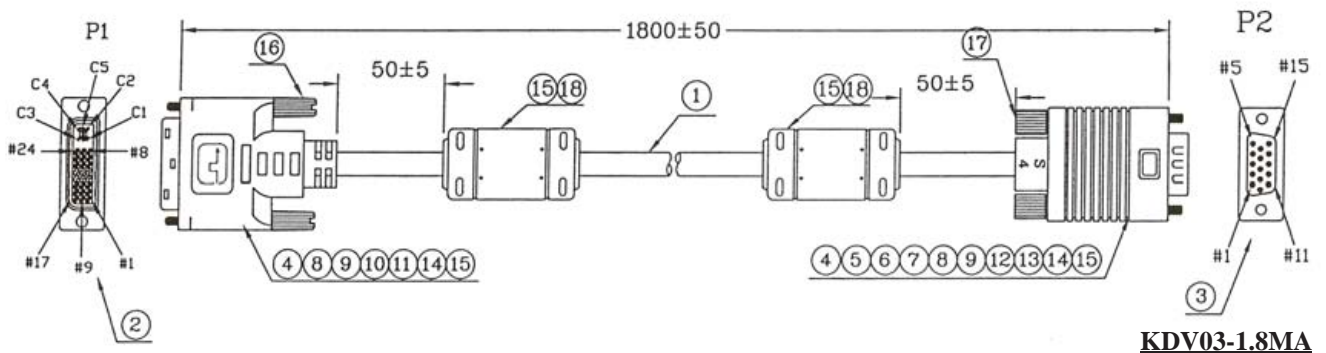
P/N KDV47-xxMB23 (18+5)
 DVI MALE (18+5)
 TO 3*RCA PLUGS



P/N KDV48-xxMB19 (18+1)
 P/N KDV48-xxMB23 (18+5)
 P/N KDV48-xxMB25 (24+1)
 P/N KDV48-xxMB29 (24+5)
 DVI MALE
 TO DVI MALE, METAL SHELL



DVI MOLDED CABLE DIGITAL/ANALOG TO VGA HD15M CONNECTOR



KDV03-1.8MA



ORDERING INFORMATION:

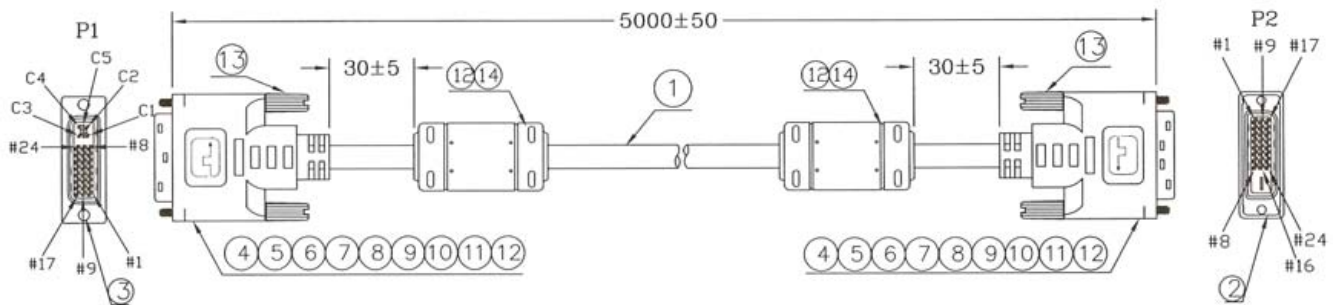
P/N K D V 0.3 - x x M x
 1 2 3

- CONNECTORS AT 2 ENDS:
 "03" DVI 18+4P+KEY MALE CONNECTOR TO
 MALE CONNECTOR HIGH DENSITY D-SUB.
 15 PIN
- CABLE LENGTH IN METER:
 1M, 1.8M, 2M, 3M, 5M,...etc.

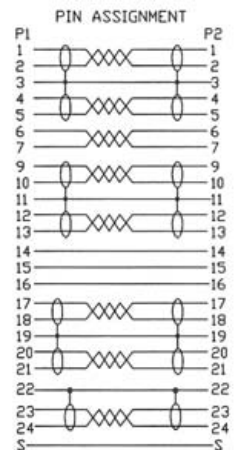
- CABLE COLOR:
 "A" GRAY
 "B" BLACK

NOTE: THERE IS NO FERRITE CORE, IF
 THE CABLE LENGTH IS UNDER 1M.

DVI MOLDED CABLE DVI INTERGRATED TO DVI DIGITAL DUAL LINK TYPE



KDV04-5MA



ORDERING INFORMATION:

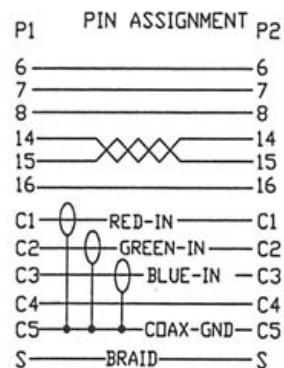
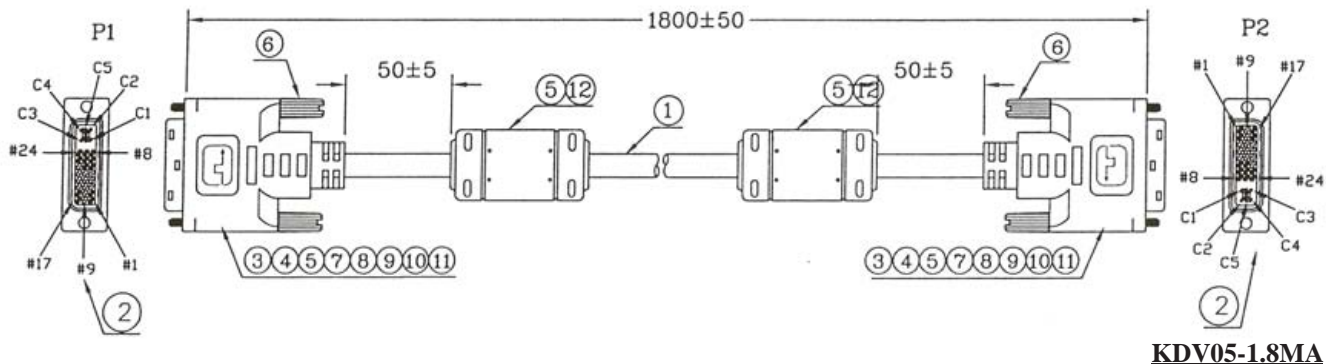
P/N K D V 04 - x x M x
 1 2 3

- CONNECTORS AT 2 ENDS:
"04" DVI 24+4P+KEY MALE CONNECTOR TO
DVI 24P+KEY MALE CONNECTOR
- CABLE LENGTH IN METER:
1M, 1.8M, 2M, 3M, 5M,...etc.

- CABLE COLOR:
"A" GRAY
"B" BLACK

NOTE: THERE IS NO FERRITE CORE, IF
THE CABLE LENGTH IS UNDER 1M.

DVI MOLDED CABLE DVI ANALOG TO DVI ANALOG TYPE



ORDERING INFORMATION:

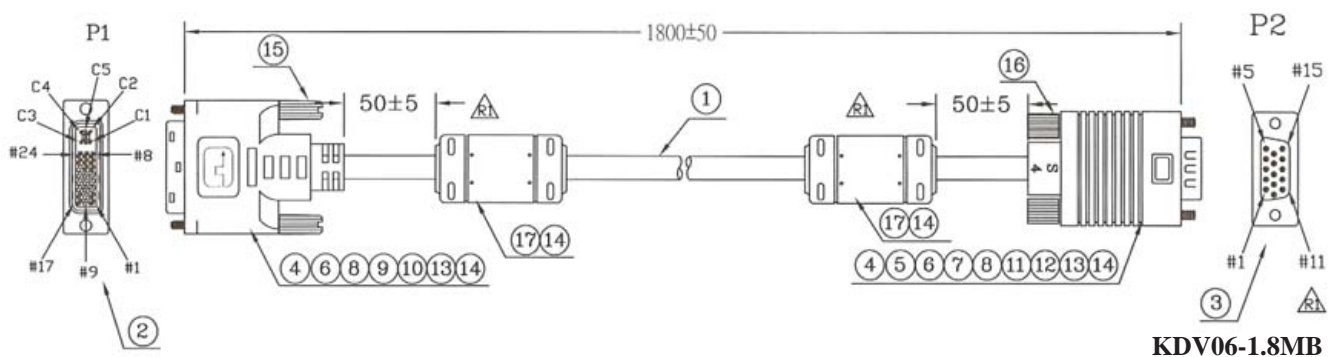
P/N **K D V 0.5 - x x M x**
 1 2 3

- CONNECTORS AT 2 ENDS:
 "05" DVI 12+4P+KEY MALE CONNECTOR TO
 DVI 12+4P+KEY MALE CONNECTOR
- CABLE LENGTH IN METER:
 1M, 1.8M, 2M, 3M, 5M,...etc.

- CABLE COLOR:
 "A" GRAY
 "B" BLACK

NOTE: THERE IS NO FERRITE CORE, IF
 THE CABLE LENGTH IS UNDER 1M.

DVI MOLDED CABLE DVI ANALOG TO VGA HD15M CONNECTOR



KDV06-1.8MB

PIN ASSIGNMENT

P1(DVI)		P2(HD 15P)
C1	R	1
C2	G	2
C3	B	3
C4	RED	13
C5	R.G.B SHIELD	6+7+8
6	BLACK	15
7	BROWN	12
8	GREEN	14
14+16	YELLOW	9
15	ORANGE	5+10
SHELL	BRAID	SHELL

ORDERING INFORMATION:

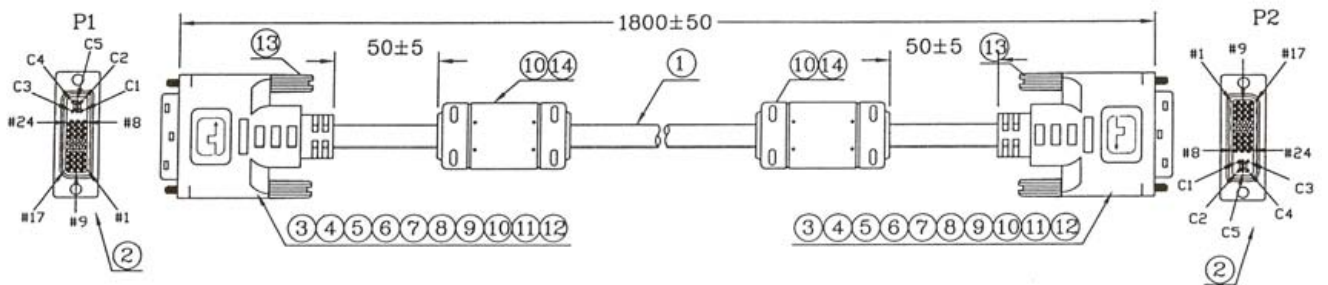
P/N K D V 0.6 - x x M x
 1 2 3

- CONNECTORS AT 2 ENDS:
"06" DVI 12+4P+KEY MALE CONNECTOR TO D-SUB. HIGH DENSITY 15P MALE CONNECTOR
- CABLE LENGTH IN METER:
1M, 1.8M, 2M, 3M, 5M,...etc.

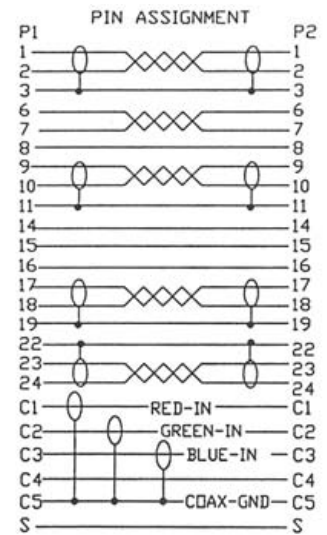
- CABLE COLOR:
"A" GRAY
"B" BLACK

NOTE: THERE IS NO FERRITE CORE, IF THE CABLE LENGTH IS UNDER 1M.

DVI MOLDED CABLE DVI DIGITAL/ANALOG SINGLE LINK TYPE



KDV07-1.8MA



ORDERING INFORMATION:

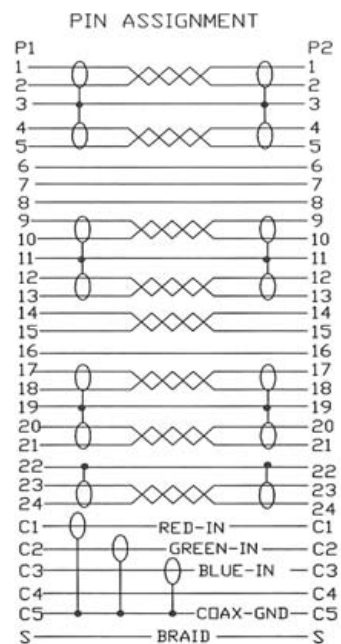
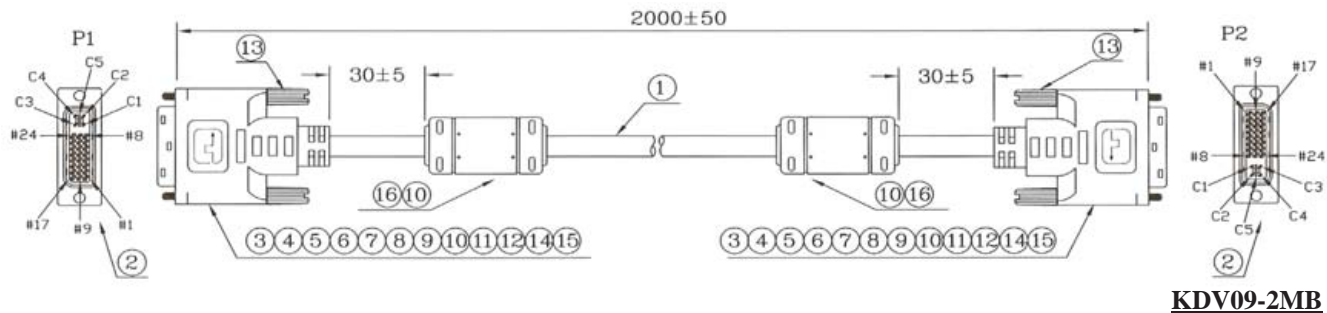
P/N **K D V 07 - x x M x**
 1 2 3

- CONNECTORS AT 2 ENDS:
 "07" DVI 18+4P+KEY MALE CONNECTOR TO
 DVI 18+4P+KEY MALE CONNECTOR
- CABLE LENGTH IN METER:
 1M, 1.8M, 2M, 3M, 5M,...etc.

- CABLE COLOR:
 "A" GRAY
 "B" BLACK

NOTE: THERE IS NO FERRITE CORE, IF
 THE CABLE LENGTH IS UNDER 1M.

DVI MOLDED CABLE DVI INTEGRATED DUAL LINK TYPE



ORDERING INFORMATION:

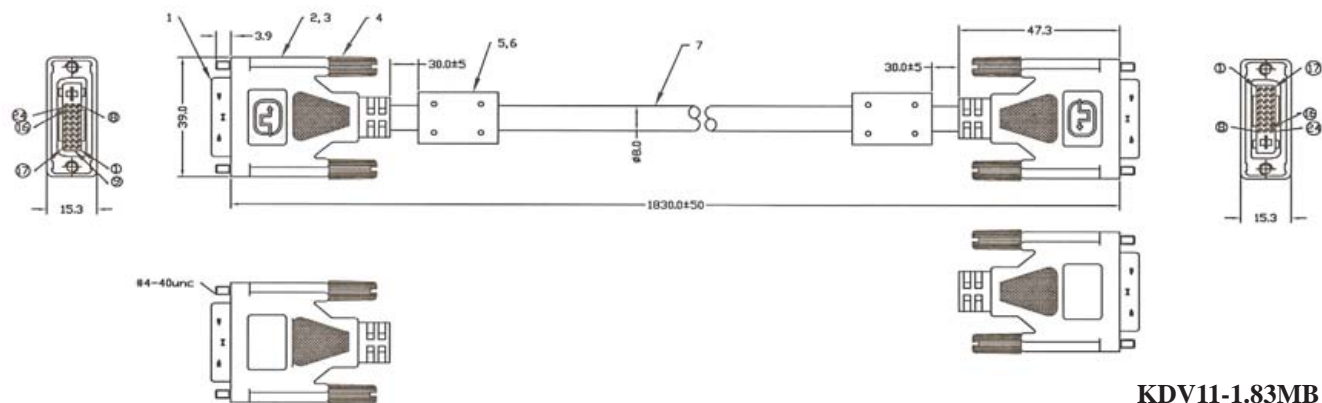
P/N **K D V 09 - x x M x**
 $\frac{1}{1} \quad \frac{2}{2} \quad \frac{3}{3}$

- CONNECTORS AT 2 ENDS:
 "09" DVI 24+4P+KEY MALE CONNECTOR TO
 DVI 24+4P+KEY MALE CONNECTOR
- CABLE LENGTH IN METER:
 1M, 1.8M, 2M, 3M, 5M,...etc.

- CABLE COLOR:
 "A" GRAY
 "B" BLACK

NOTE: THERE IS NO FERRITE CORE, IF
 THE CABLE LENGTH IS UNDER 1M.

DVI MOLDED CABLE DVI DIGITAL TO DVI DIGITAL DUAL LINK TYPE



ORDERING INFORMATION:

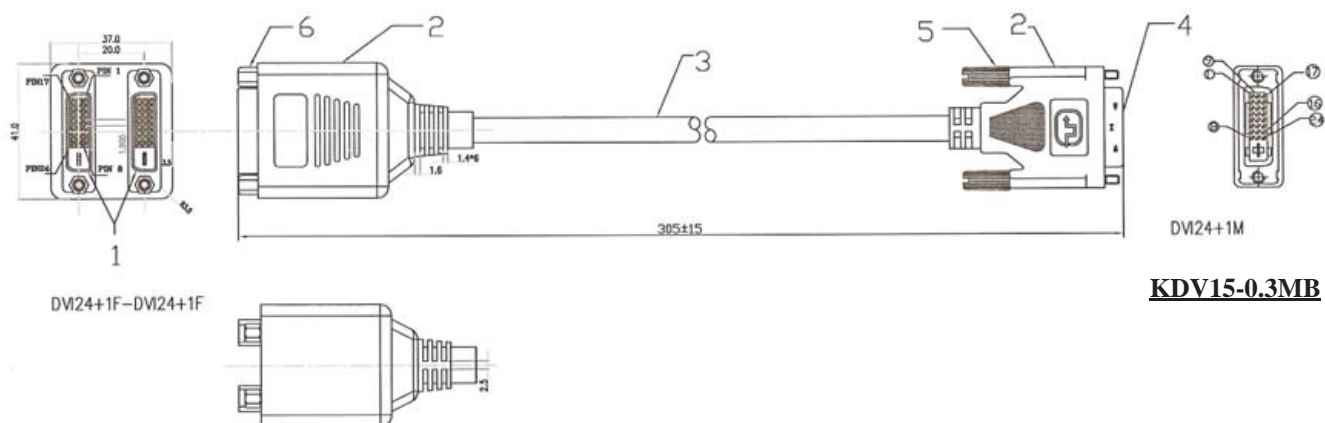
P/N **K D V** **11** - **x x** **M B**
 1 **2** **3**

1. CONNECTORS AT 2 ENDS:
"11" DVI 24+KEY MALE CONNECTOR TO
DVI 24+KEY MALE CONNECTOR
2. CABLE LENGTH IN METER:
1M, 1.8M, 2M, 3M, 5M,...etc.

3. CABLE COLOR:
"B" BLACK

NOTE: THERE IS NO FERRITE CORE, IF
THE CABLE LENGTH IS UNDER 1M.

DVI MOLDED SPLITTER CABLE DVI 24P+KEY MALE TO 2 FEMALE CONNECTORS



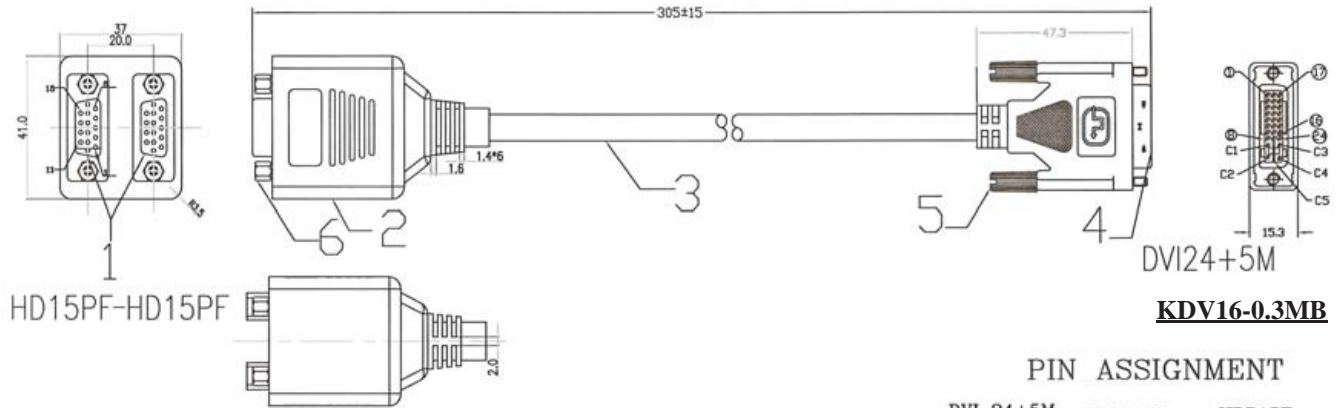
ORDERING INFORMATION:

P/N **K D V** 15 - x x **M B**
1 2 3

1. CONNECTORS AT 2 ENDS:
"15" DVI 24+KEY MALE CONNECTOR TO
2*DVI 24+KEY FEMALE CONNECTORS
2. CABLE LENGTH IN METER:
0.3M, 1M, 1.8M, 2M,...etc.

3. CABLE COLOR:
"B" BLACK

DVI MOLDED SPLITTER CABLE DVI 24+4P+KEY MALE TO 2 HD15F CONNECTORS



PIN ASSIGNMENT

DVI 24+5M	HDD15F	HDD15F
C1	1	1
C2	2	2
C3	3	3
	4	4
15	5	5
	6	6
C5	7	7
	8	8
14,16	9	9
15	10	10
	11	11
7	12	12
C4	13	13
8	14	14
6	15	15

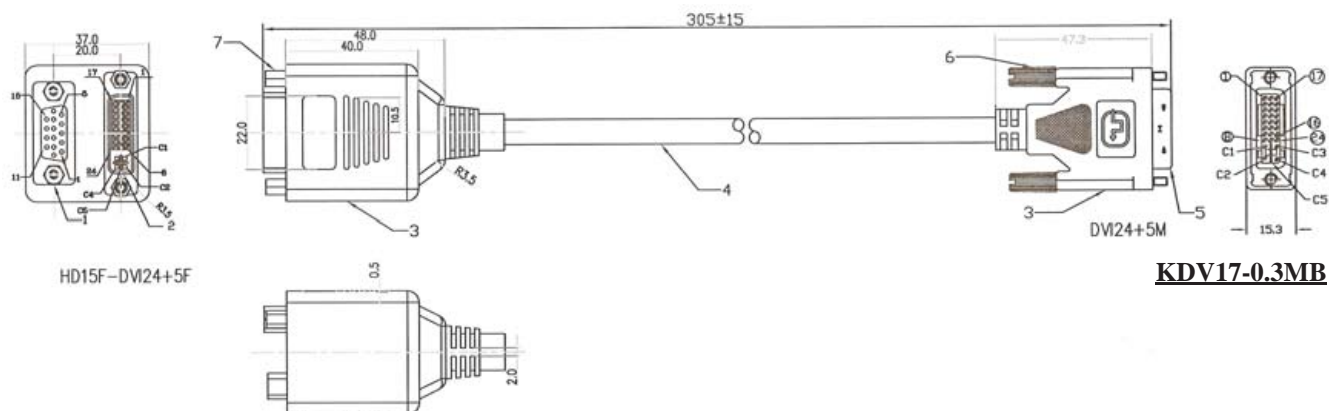
ORDERING INFORMATION:

P/N **K D V** 16 - x x **M B**
 1 2 3

- CONNECTORS AT 2 ENDS:
 "16" DVI 24+4P+KEY MALE CONNECTOR TO
 2*D-SUB. HIGH DENSITY 15P
 FEMALE CONNECTORS
- CABLE LENGTH IN METER:
 0.3M, 1M, 1.8M, 2M,...etc.

- CABLE COLOR:
 "B" BLACK

DVI MOLDED SPLITTER CABLE DVI 24+4P+KEY MALE TO FEMALE & HD15F CONNECTORS



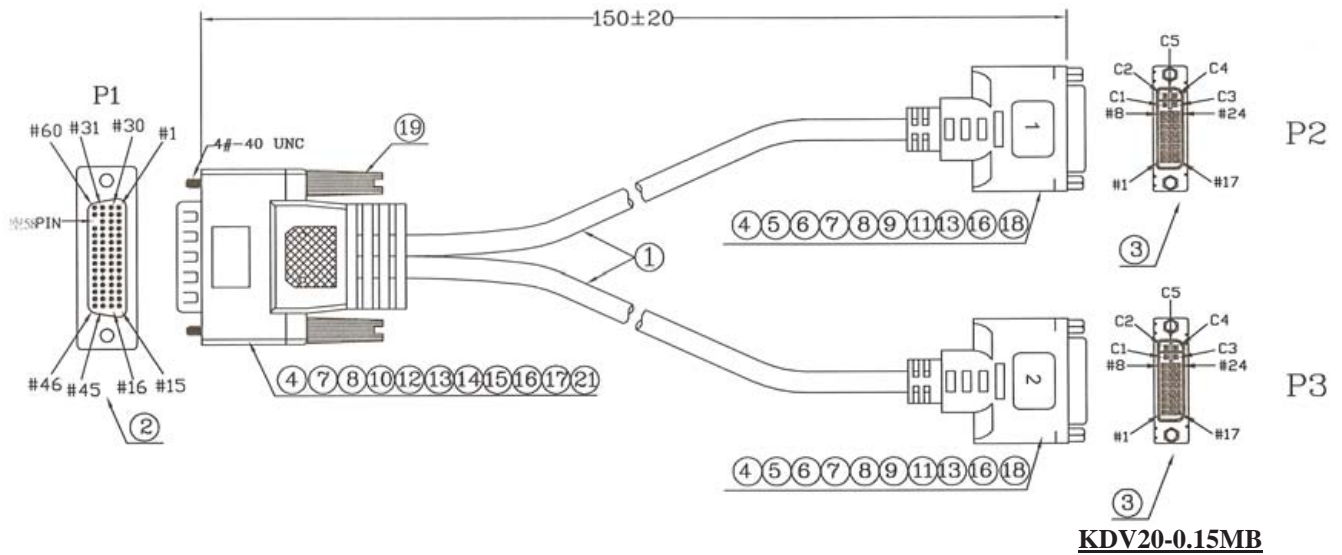
ORDERING INFORMATION:

P/N K D V 17 - x M B
 1 2 3

1. CONNECTORS AT 2 ENDS:
 "17" DVI 24+4P+KEY MALE CONNECTOR TO
 HD15F & DVI 24+4P+KEY
 FEMALE CONNECTOR
2. CABLE LENGTH IN METER:
 0.3M, 1M, 1.8M, 2M,...etc.

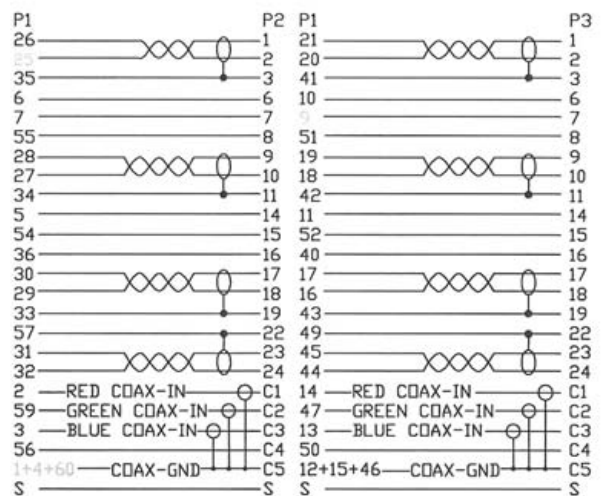
3. CABLE COLOR:
 "B" BLACK

DVI MOLDED SPLITTER CABLE HD60 MALE TO 2*DVI 24+4+KEY FEMALE CONNECTORS



KDV20-0.15MB

PIN ASSIGNMENT



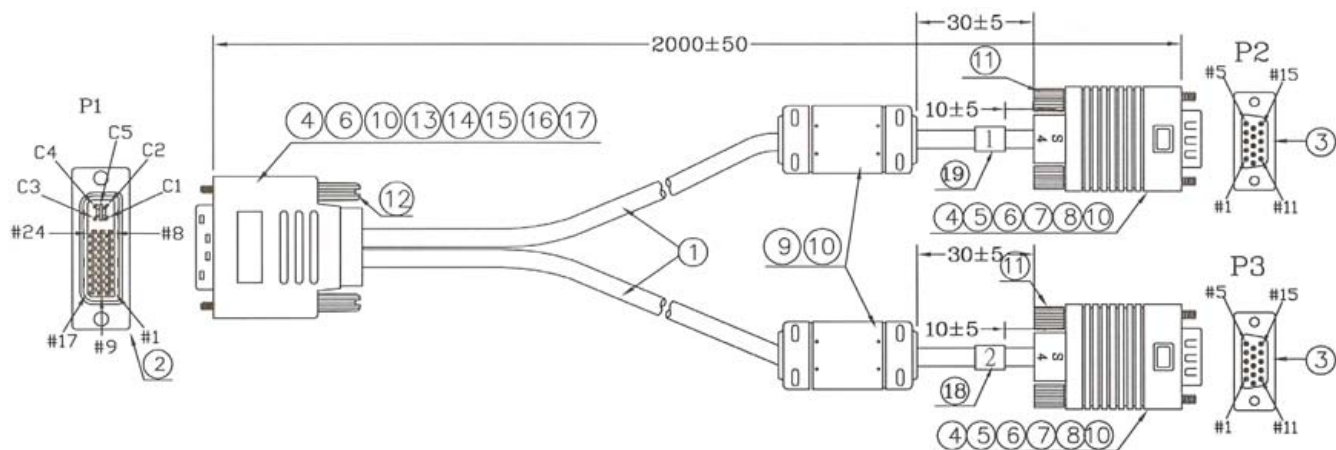
ORDERING INFORMATION:

P/N K D V $\frac{20}{1}$ - $\frac{xx}{2}$ M $\frac{x}{3}$

- CONNECTORS AT 2 ENDS:
"20" HD60 MALE CONNECTOR TO
2*DVI 24+4+KEY FEMALE CONNECTORS
- CABLE LENGTH IN METER:
1M, 1.8M, 2M, 3M, 5M,...etc.

- CABLE COLOR:
"B" BLACK

DVI MOLDED SPLITTER CABLE DVI 24+4+KEY MALE TO 2*HD15 MALE CONNECTORS



KDV19-2MB

PIN ASSIGNMENT

P2(HD 15P)	P1(DVI)	P3(HD 15P)
1 — R	C1 — R	1
2 — G	C2 — G	2
3 — B	C3 — B	3
13 — BROWN	C4 — BROWN	13
6+7+8 — R.G.B SHIELD	C5 — R.G.B SHIELD	6+7+8
15 — BLACK	6 — BLACK	15
12 — GREEN	7 — GREEN	12
14 — RED	8 — RED	14
9 — YELLOW	14+16 — YELLOW	9
5+10 — DRANGE	15 — DRANGE	5+10
SHELL — BRAID	SHELL — BRAID	SHELL

ORDERING INFORMATION:

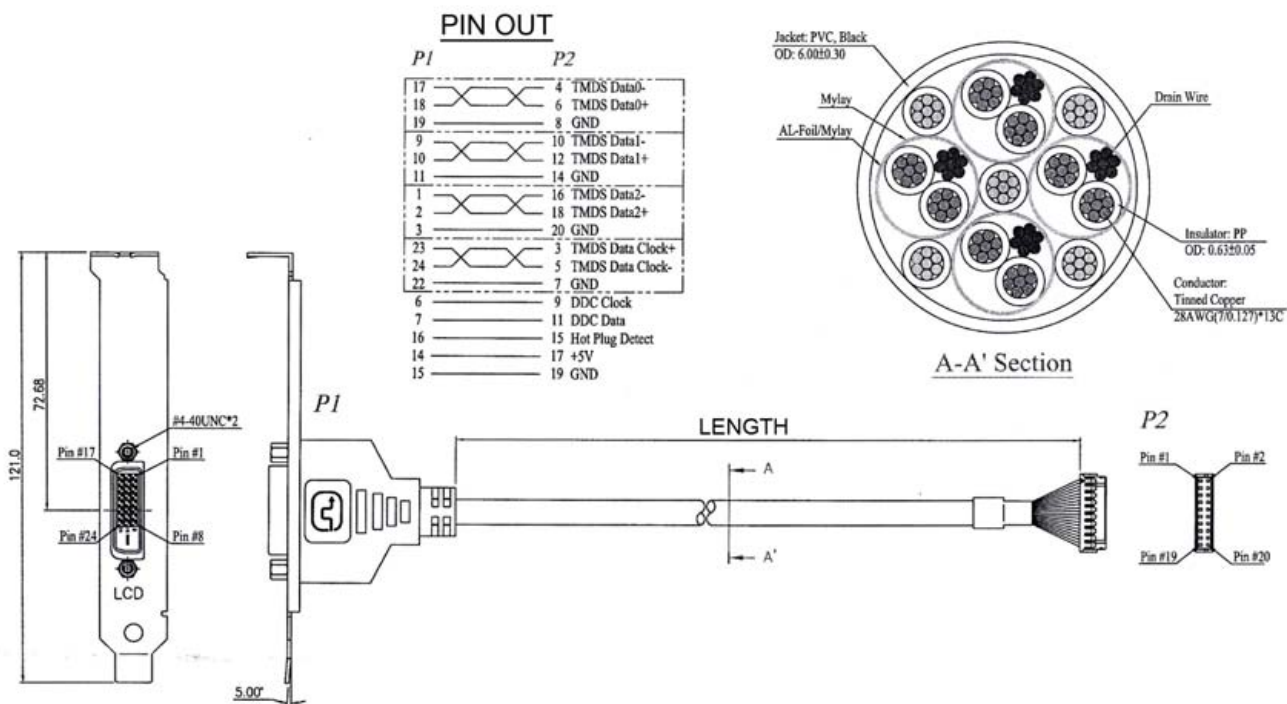
P/N K D V $\frac{19}{1} - \frac{xx}{2} \frac{M}{3} \frac{x}{3}$

- CONNECTORS AT 2 ENDS:
"19" DVI 24+4P+KEY MALE CONNECTOR TO
2*D-SUB. HIGH DENSITY 15 PIN
MALE CONNECTORS
- CABLE LENGTH IN METER:
1M, 1.8M, 2M, 3M, 5M,...etc.

- CABLE COLOR:
"B" BLACK

NOTE: THERE IS NO FERRITE CORE, IF
THE CABLE LENGTH IS UNDER 1M.

DVI 24P+KEY FEMALE TO 2.00 PITCH 20 PIN HOUSING AWG28/UL20276 CABLE ASSEMBLY



ORDERING INFORMATION:

P/N K D V $\frac{24}{1}$ - $\frac{x x}{2}$ M $\frac{B}{3}$

1. CONNECTORS AT 2 ENDS:

"24" DVI 24P+KEY FEMALE CONNECTOR WITH BRACKET TO
2.00MM PITCH 2*10 PIN HOUSING

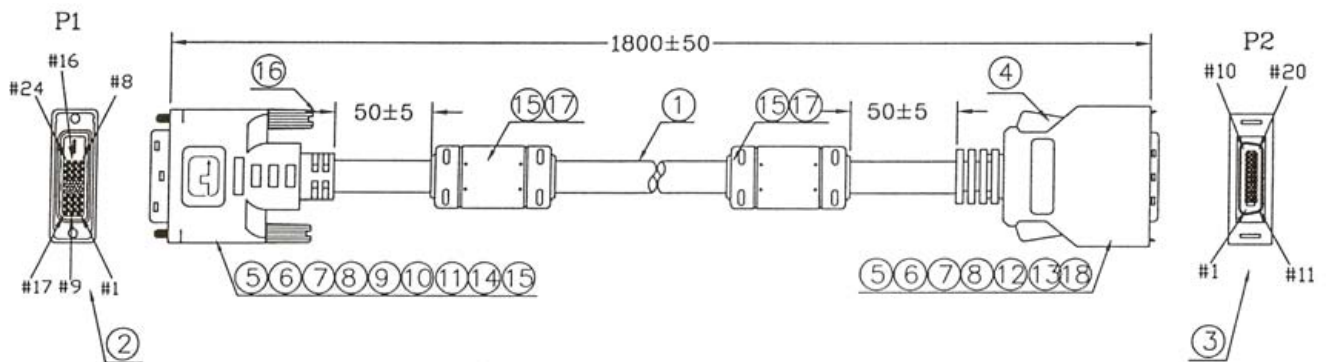
2. CABLE LENGTH L IN METERS:

1M, 2M, 3M, ...etc.

3. CABLE COLOR:

"B" BLACK

DVI MOLDED CABLE DVI DIGITAL SINGLE LINK TO DFP HPCEN20M CONNECTOR



KDV02-1.8MA

PIN ASSIGNMENT	
P1	P2
1	BROWN — 12
2	WHITE — 11
3	— 13
6	RED — 20
7	WHITE — 19
9	RED — 2
10	WHITE — 1
11	— 3
14	YELLOW — 8
15	ORANGE — 7
16	PURPLE — 10
17	BLUE — 16
18	WHITE — 15
19	— 14
22	— 4
23	GREEN — 5
24	WHITE — 6
SHELL	SHELL

ORDERING INFORMATION:

P/N K D V 02 - x x M A
 1 2 3

- CONNECTORS AT 2 ENDS:
"02" DVI 18P+KEY MALE CONNECTOR TO
HALF PITCH CENTRONIC 20P
MALE CONNECTOR
- CABLE LENGTH IN METER:
1M, 1.8M, 2M, 3M, 5M,...etc.

- CABLE COLOR:
"A" GRAY

NOTE: THERE IS NO FERRITE CORE, IF
THE CABLE LENGTH IS UNDER 1M.

MINI DVI CABLE 32 PIN PLUG TO DVI 24+KEY FEMALE CONNECTOR

SPECIFICATIONS

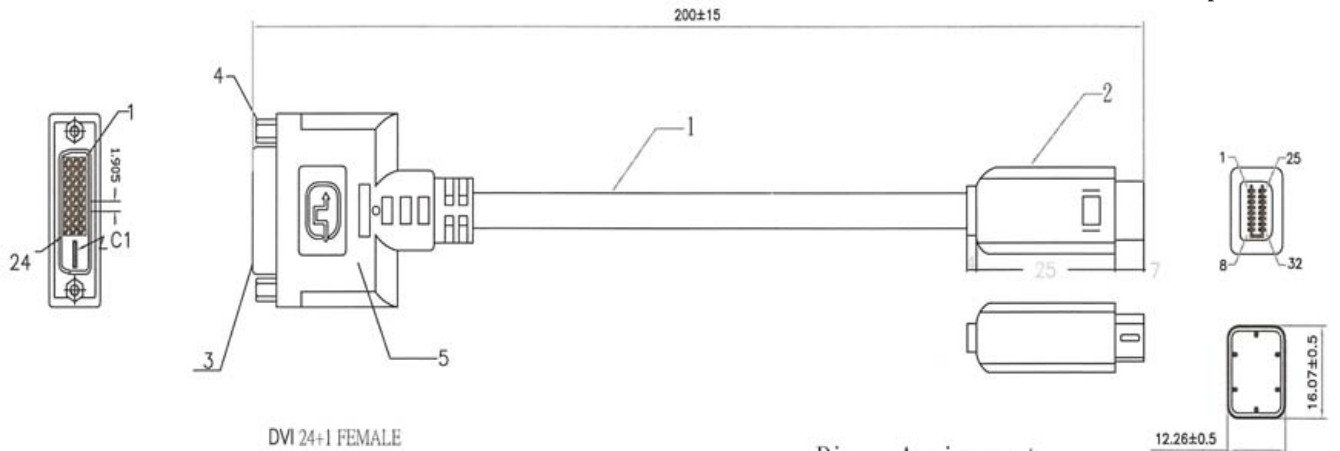
100% OPEN SHORT MIS-WIRE TEST

Contact Resistance: 10 Ω

Insulation Resistance: 5M Ω(min.)

Hi-POT: AC/10ms

All materials must be RoHS compliant.



DVI 24+1 FEMALE

Pin Assignment

DVI-24+1F	MINI-DVI32P
2	1
1	2
10	3
9	4
18	5
17	6
23	7
24	8
3	9-10
11	11-12
19	13-14
22	15-16
14	17
7	18
16	25
6	26
15	28
SHELL	SHELL

KDV21-0.2MW

ORDERING INFORMATION:

P/N **K D V 21 - x x M W**
 1 2 3

- CONNECTOR AT 2 ENDS:
"21" MINI DVI 32 PIN PLUG TO
DVI 24+1 PIN FEMALE CONNECTOR
- LENGTH IN METER:
0.2M, 0.5M,...etc.
- CABLE COLOR:
"W" WHITE

MINI DVI CABLE 32 PIN PLUG TO HDMI 19 PIN FEMALE CONNECTOR

SPECIFICATIONS

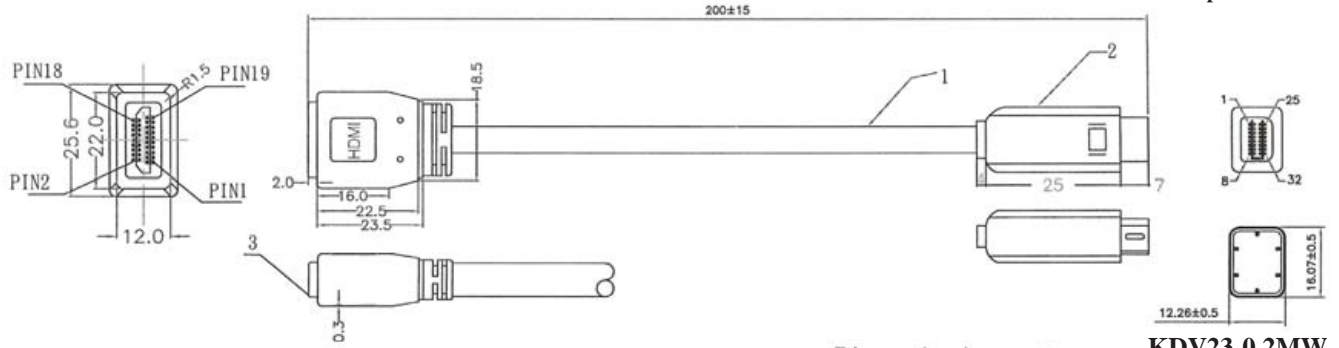
100% OPEN SHORT MIS-WIRE TEST

Contact Resistance: 10 Ω

Insulation Resistance: 5M Ω

Hi-POT: 300V AC/10ms

All materials must be RoHS compliant.



Pin Assignment

HDMI19F	MINI-DVI32P
---------	-------------

3	2
1	1
2	9, 10
6	4
4	3
5	11, 12
9	6
7	5
8	13, 14
12	8
10	7
11	15-16
15	26
16	18
17	28
18	17
19	25
SHELL	SHELL

ORDERING INFORMATION:

P/N K D V $\frac{23}{1}$ - $\frac{xx}{2}$ M $\frac{W}{3}$

- CONNECTOR AT 2 ENDS:
"23" MINI DVI 32 PIN PLUG TO
HDMI A TYPE 19 PIN FEMALE CONNECTOR
- LENGTH IN METER:
0.2M, 0.5M,...etc.
- CABLE COLOR:
"W" WHITE

MINI DVI CABLE 32 PIN PLUG TO D-SUB. HD15F CONNECTOR

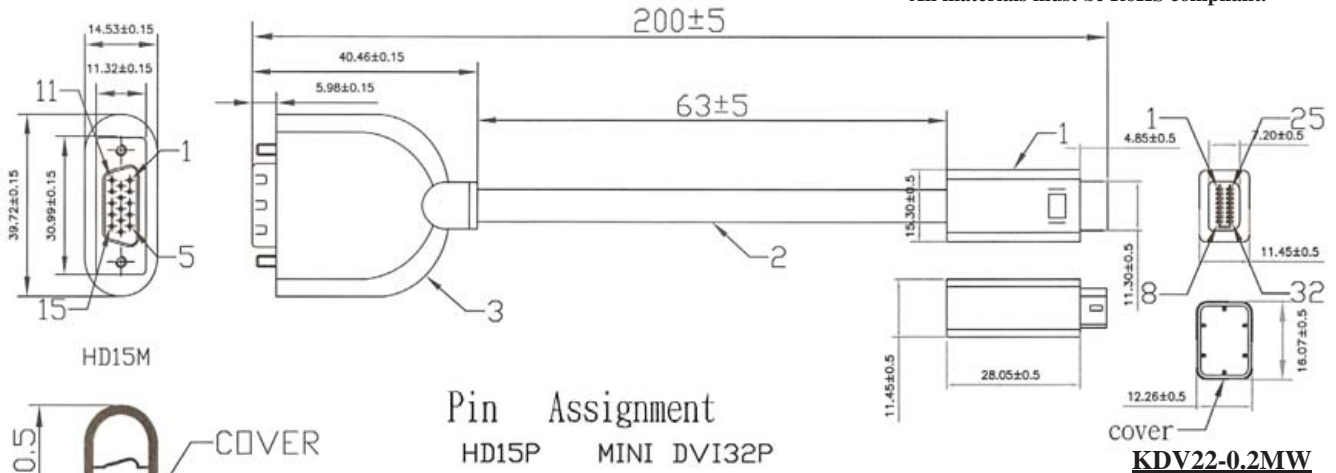
SPECIFICATIONS

OPEN/SHORT/INTERMITTE: 100%

Contact Resistance: $<3\Omega$

Insulation Resistance: DC 300V AT 10ms
 $R > 20M\Omega$

All materials must be RoHS compliant.



ORDERING INFORMATION:

P/N **K D V 22 - x x M W**
1 2 3

- CONNECTOR AT 2 ENDS:
"22" MINI DVI 32 PIN PLUG TO
HIGH DENSITY D-SUB. 15 PIN
FEMALE CONNECTOR
- LENGTH IN METER:
0.2M, 0.5M,...etc.
- CABLE COLOR:
"W" WHITE