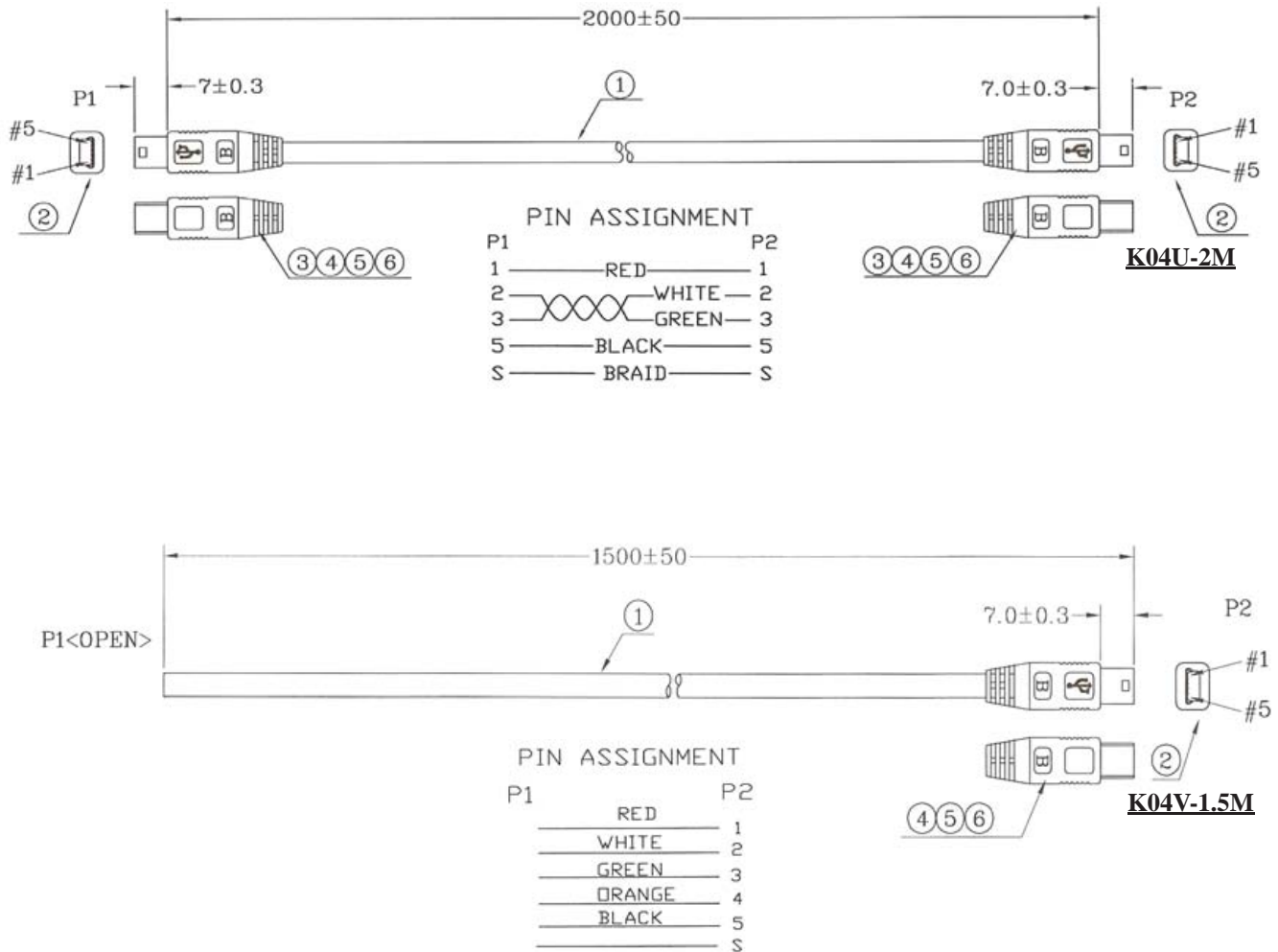


MINI USB MOLDED REV1.1 CABLE B TYPE 5 PIN MALE TO MALE TYPE



ORDERING INFORMATION:

P/N **K 0 4** **x** - **x x** **M** + **x x x**

1 2 3

1. CONNECTORS AT 2 ENDS:

- "U" MINI USB B TYPE 5 PIN MALE TO MALE
- "V" MINI USB B TYPE 5 PIN MALE TO OPEN END

2. LENGTH IN METER:

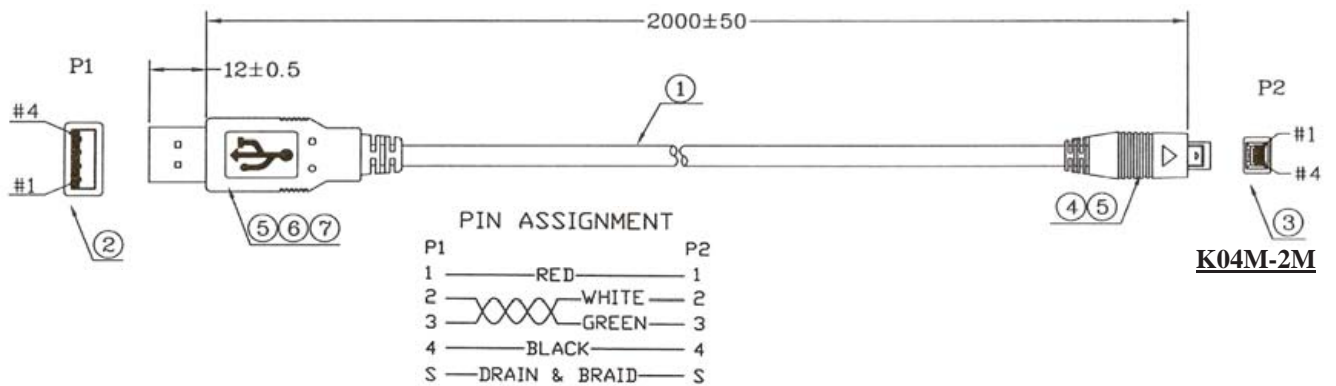
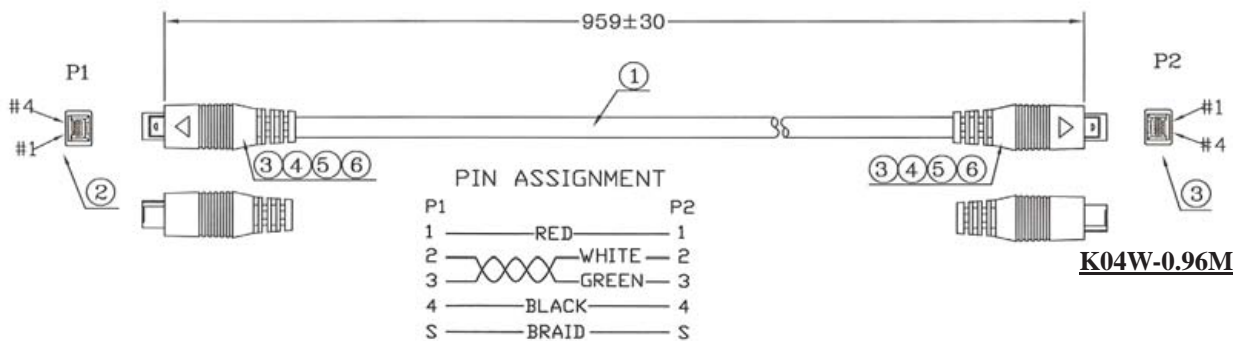
1M, 1.8M, ..., 4M, 5M

3. FERRITE CORE OPTION:

- " " W/O FERRITE CORE
- " +1FE" WITH 1 FERRITE CORE
- " +2FE" WITH 2 FERRITE CORES

NOTE: The cable color is BLACK.

MINI USB MOLDED REV1.1 CABLE 4 PIN MALE TO MALE TYPE



ORDERING INFORMATION:

P/N K 0 4 x - xx M + xxx

1 2 3

1. CONNECTORS AT 2 ENDS:

"W" MINI USB HIROSE TYPE 4 PIN
MALE TO MALE

"M" MINI USB HIROSE TYPE 4 PIN
MALE TO USB A TYPE MALE

2. LENGTH IN METER:

1M, 1.8M, ..., 4M, 5M

3. FERRITE CORE OPTION:

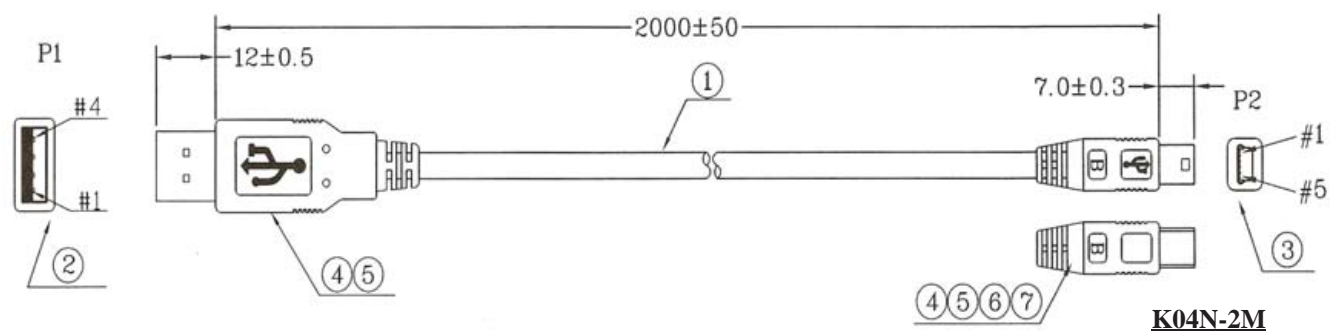
" " W/O FERRITE CORE

"+1FE" WITH 1 FERRITE CORE

"+2FE" WITH 2 FERRITE CORES

NOTE: The cable color is BLACK.

MINI USB MOLDED REV1.1 CABLE 5 PIN B TYPE MALE TO USB A TYPE MALE CONNECTOR



PIN ASSIGNMENT

P1		P2
1	— RED —	1
2	— WHITE —	2
3	— GREEN —	3
4	— BLACK —	5
S	— DRAIN & BRAID —	S

ORDERING INFORMATION:

P/N **K 0 4** **x** - **x x** **M** + **x x x**

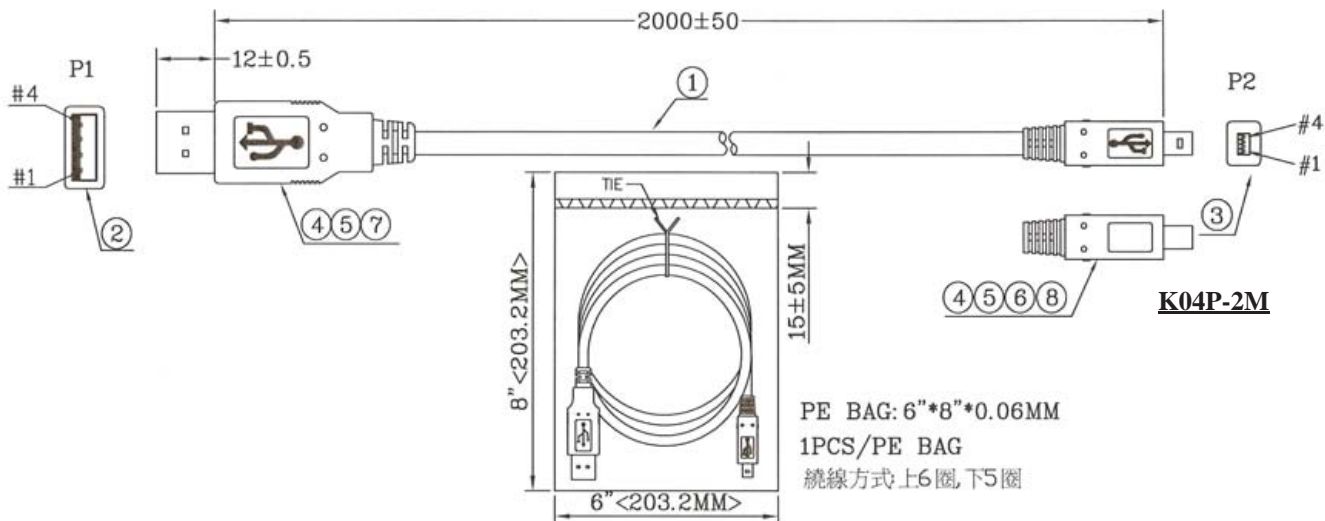
1 2 3

1. CONNECTORS AT 2 ENDS:
"N" USB A TYPE MALE TO
MINI USB 5 PIN B TYPE MALE
2. LENGTH IN METER:
1M, 1.8M, ..., 4M, 5M

3. FERRITE CORE OPTION:
" " W/O FERRITE CORE
"+1FE" WITH 1 FERRITE CORE
"+2FE" WITH 2 FERRITE CORES

NOTE: The cable color is Black.

MINI USB MOLDED REV1.1 CABLE 4 PIN SONY TYPE TO USB A TYPE MALE CONNECTOR



PIN ASSIGNMENT

P1		P2
1	— RED —	1
2	— WHITE —	2
3	— GREEN —	3
4	— BLACK —	4
S	— BRAID —	S

ORDERING INFORMATION:

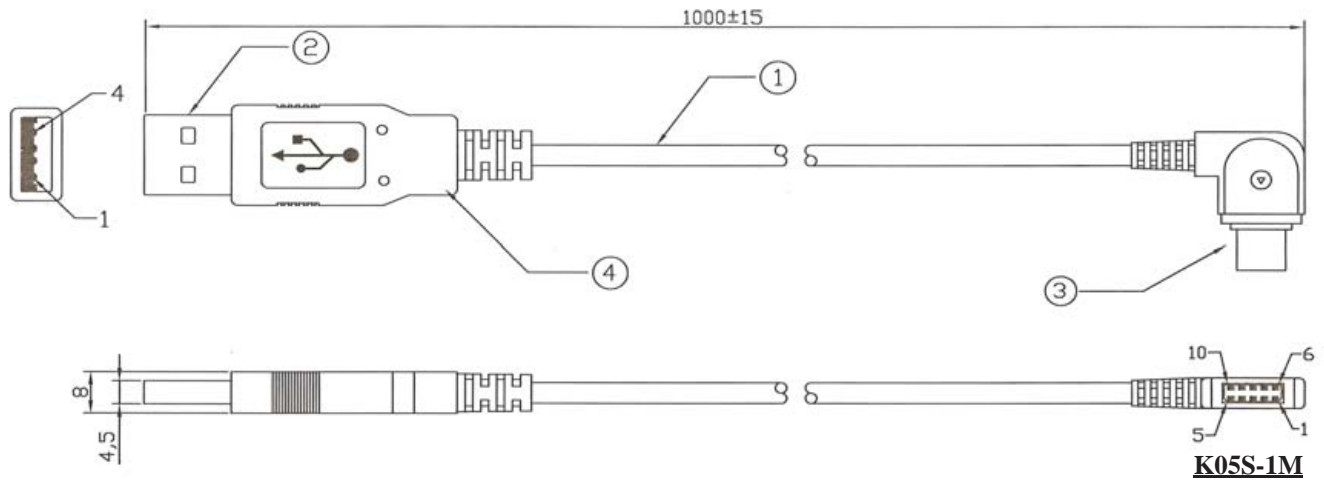
P/N **K 0 4** 1 - 2 **M** + 3 **X X X**

1. CONNECTORS AT 2 ENDS:
"P" USB A TYPE MALE TO
MINI USB 4 PIN SONY TYPE MALE
2. LENGTH IN METER:
1M, 1.8M,..., 4M, 5M

3. FERRITE CORE OPTION:
" " W/O FERRITE CORE
"+1FE" WITH 1 FERRITE CORE
"+2FE" WITH 2 FERRITE CORES

NOTE: The cable color is BLACK.

MINI USB MOLDED REV2.0 CABLE 10 PIN MALE TO USB A TYPE MALE



PIN ASSIGNMENT		
AM		MINI USB 10PIN
1	—————	1
2	—————	10
3	—————	4
4	—————	3

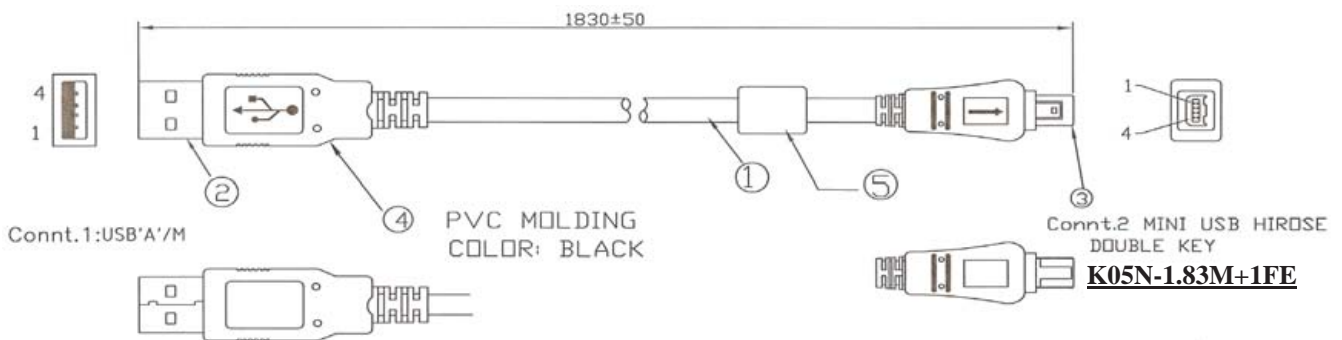
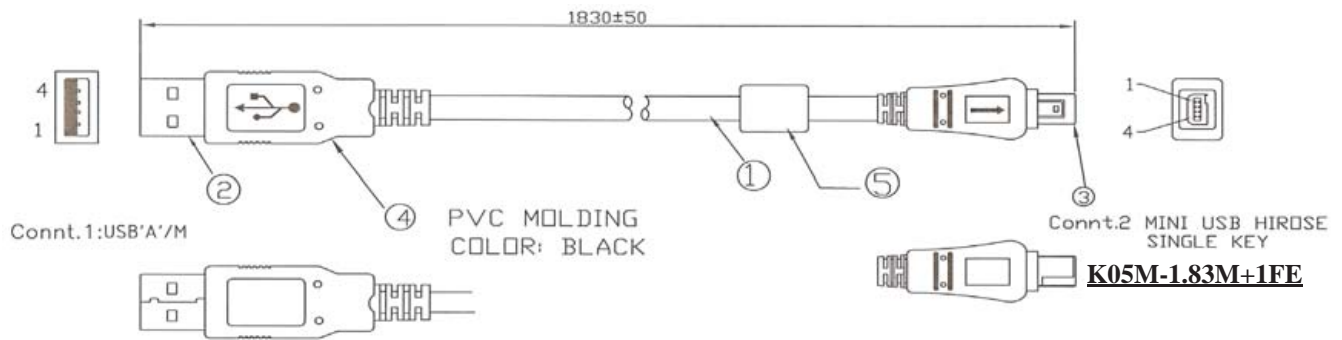
ORDERING INFORMATION:

P/N **K 0 5** 1 - 2 **M** + 3 **X X X**

1. CONNECTORS AT 2 ENDS:
"S" MINI USB RIGHT ANGLE 10P MALE TO
USB A TYPE MALE
2. LENGTH IN METER:
1M, 1.8M, ..., 4M, 5M

3. FERRITE CORE OPTION:
" " W/O FERRITE CORE
"+1FE" WITH 1 FERRITE CORE
"+2FE" WITH 2 FERRITE CORES

MINI USB MOLDED REV2.0 CABLE 4 PIN HIROSE TYPE MALE TO USB A TYPE MALE



Pin Assignment

Connt.1	Connt.2	COLOR
1	1	RED
2	2	WHITE
3	3	GREEN
4	4	BLACK
SHELL	SHELL	BRAID

ORDERING INFORMATION:

P/N **K 0 5** $\frac{x}{1}$ - $\frac{xx}{2}$ **M** + $\frac{xxx}{3}$

1. CONNECTORS AT 2 ENDS:

- "M" MINI USB 4P HIROSE MALE SINGLE KEY TO USB A/MALE CONNECTOR
- "N" MINI USB 4P HIROSE MALE DOUBLE KEY TO USB A/MALE CONNECTOR

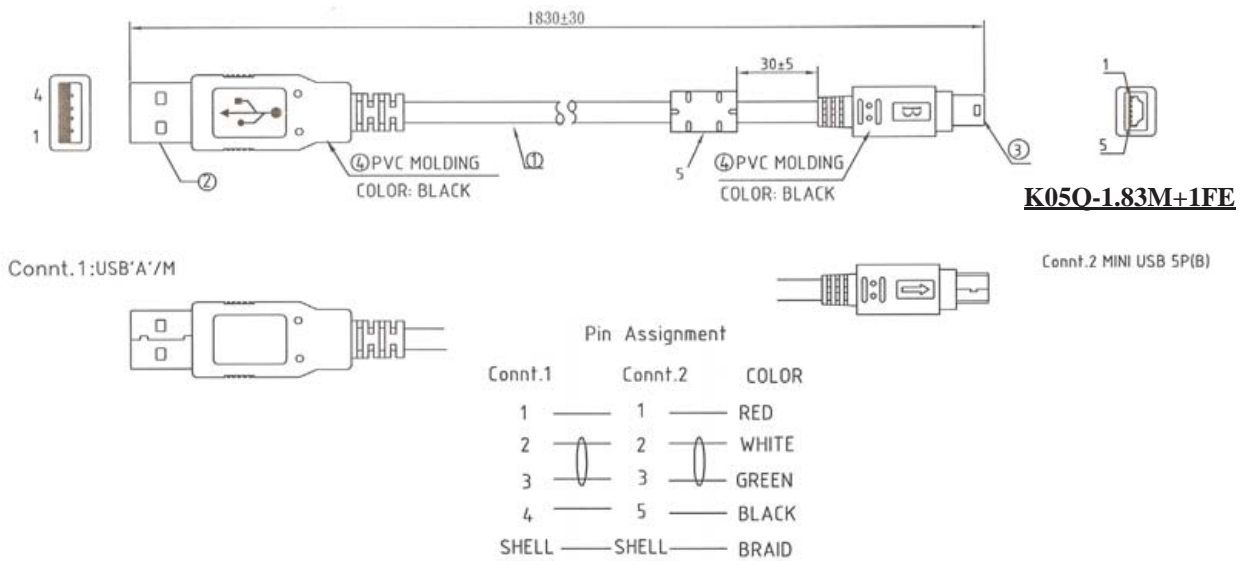
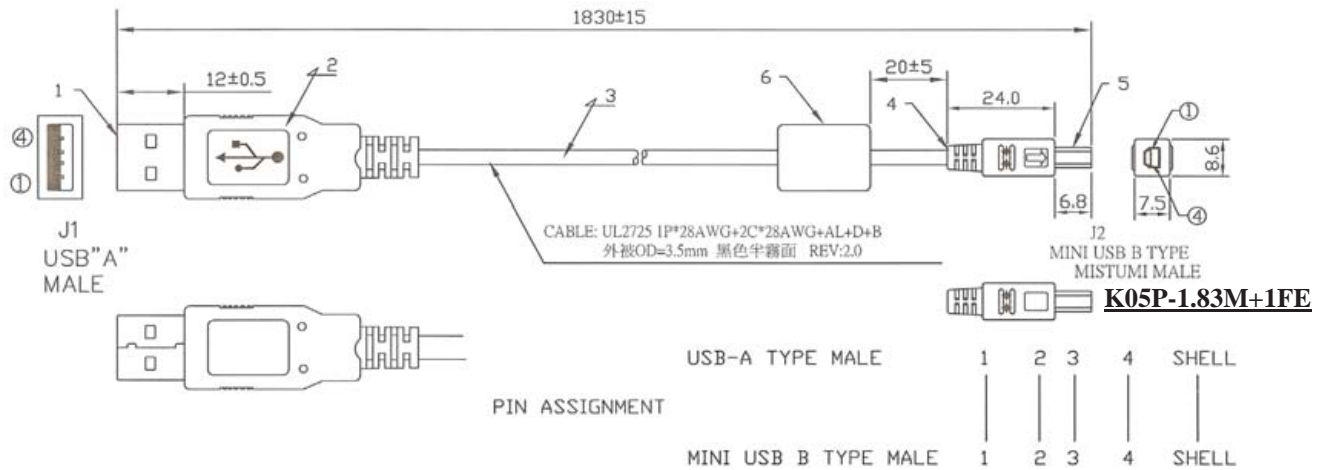
2. LENGTH IN METER:

1M, 1.8M, ..., 4M, 5M

3. FERRITE CORE OPTION:

- " " W/O FERRITE CORE
- " +1FE" WITH 1 FERRITE CORE
- " +2FE" WITH 2 FERRITE CORES

MINI USB MOLDED REV2.0 CABLE B TYPE MALE TO USB A TYPE MALE



ORDERING INFORMATION:

P/N **K 0 5** 1 - 2 **M** + 3 **XXX**

1. CONNECTORS AT 2 ENDS:

"P" MINI USB 4P B TYPE MALE TO USB A TYPE MALE

"Q" MINI USB 5P B TYPE MALE TO USB A TYPE MALE

2. LENGTH IN METER:

1M, 1.8M, ..., 4M, 5M

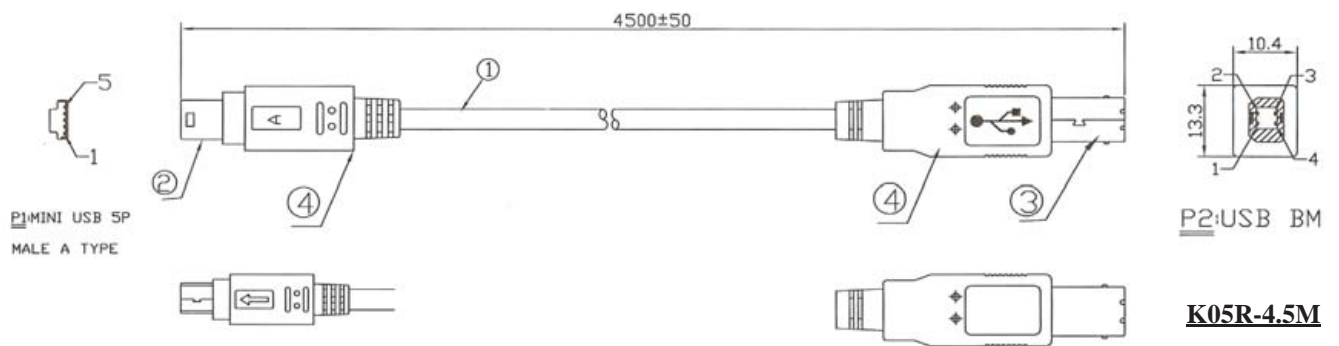
3. FERRITE CORE OPTION:

" " W/O FERRITE CORE

"+1FE" WITH 1 FERRITE CORE

"+2FE" WITH 2 FERRITE CORES

MINI USB MOLDED REV2.0 CABLE 5 PIN A TYPE MALE TO USB B TYPE MALE



Pin Assignment

P1	P2	COLOR
1	1	RED
2	2	WHITE
3	3	GREEN
5	4	BLACK
SHELL	SHELL	BRAID

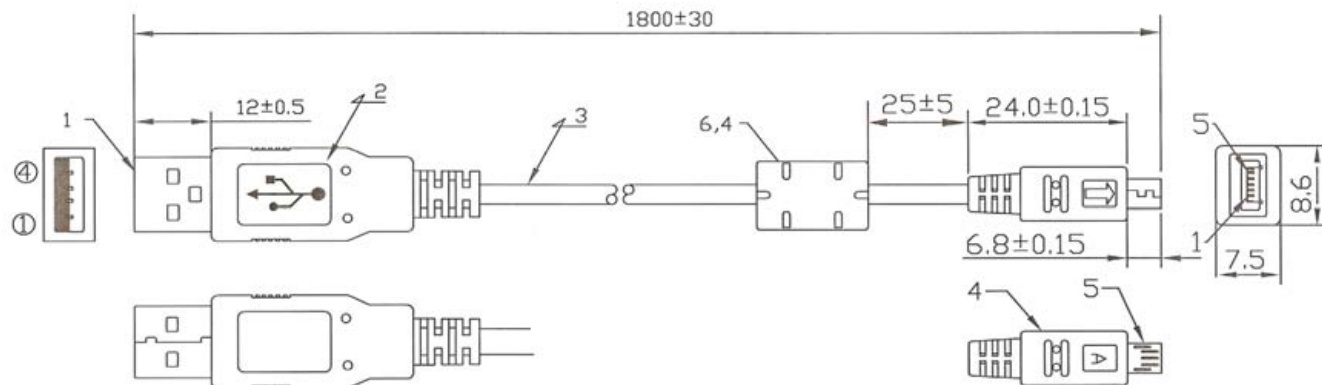
ORDERING INFORMATION:

P/N **K 0 5** 1 - 2 **M** + 3 **X X X**

- CONNECTORS AT 2 ENDS:
"R" MINI USB 5P A TYPE MALE TO
USB B TYPE MALE
- LENGTH IN METER:
1M, 1.8M, ..., 4M, 5M

- FERRITE CORE OPTION:
" " W/O FERRITE CORE
"+1FE" WITH 1 FERRITE CORE
"+2FE" WITH 2 FERRITE CORES

MICRO USB MOLDED CABLE A TYPE 5 PIN MALE TO USB A TYPE MALE



K06M-1.8M+1FE

Pin Assignment			
USB AM	SIGNAL NAME	COLOR	MICRO USB A
1	VBUS	RED	1
2	D-	WHITE	2
3	D+	GREEN	3
	ID	<RA_PLUG_ID	4
4	GND	BLACK	5
SHELL	SHIELD	DRIAN	SHELL

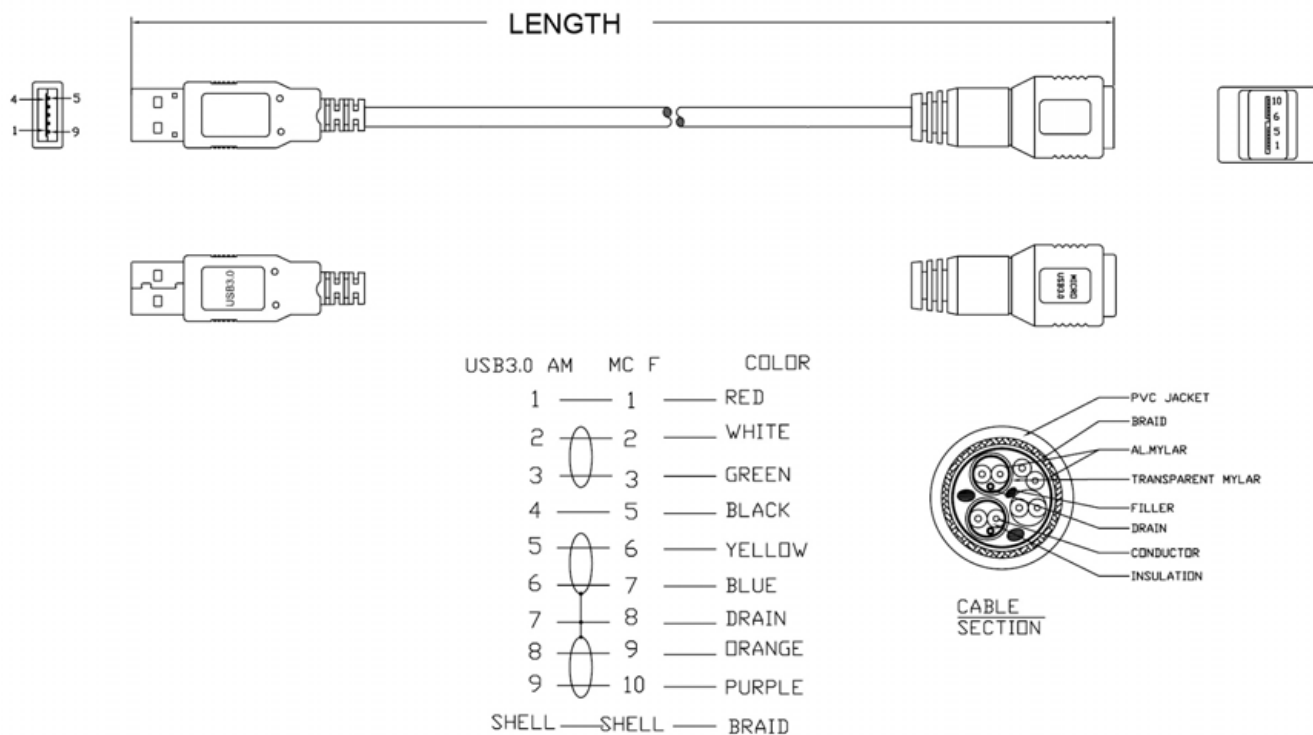
ORDERING INFORMATION:

P/N K 0 6 1 - 1.8 M + 1 FE

1. CONNECTORS AT 2 ENDS:
"M" MICRO USB A TYPE 5 PIN MALE TO
USB A TYPE MALE
2. LENGTH IN METER:
1M, 1.8M, ..., 4M, 5M

3. FERRITE CORE OPTION:
" " W/O FERRIET CORE
"+1FE" WITH 1 FERRITE CORE
"+2FE" WITH 2 FERRITE CORES

MICRO USB3.0 A+B/F TO USB3.0 A/M CABLE

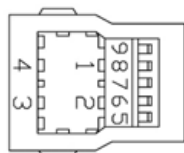
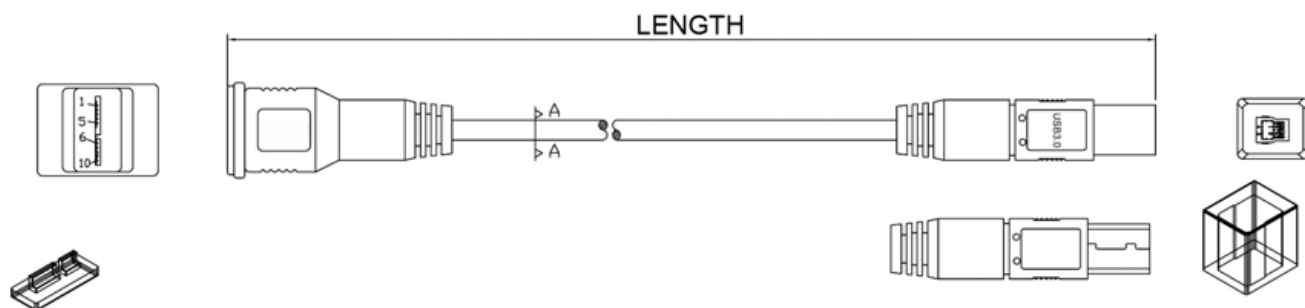


ORDERING INFORMATION:

P/N **K 0 7 A - x x M U**
1 2 3

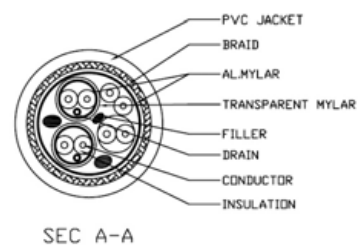
- CONNECTORS AT 2 ENDS:
"A" MICRO USB3.0 A+B TYPE FEMALE TO
USB3.0 A TYPE MALE
- CABLE LENGTH IN METER:
0.5M, 1M, 2M, 3M, ...etc.
- CABLE COLOR:
"U" BLUE

MICRO USB3.0 A+B/F TO USB3.0 B/M CABLE



PIN ASSIGNMENT

MCF	USB3.0 BM	COLOR
1	1	RED(PWR)
2	2	WHITE(UTP_D-)
3	3	GREEN(UTP_D+)
5	4	BLACK(GND_PWRrt)
6	5	YELLOW(SDP1-)
7	6	BLUE(SDP1+)
8	7	DRAIN(SDP1_Drain) (SDP2_Drain)
9	8	ORANGE(SDP2-)
10	9	PURPLE(SDP2+)
SHELL	SHELL	BRAID

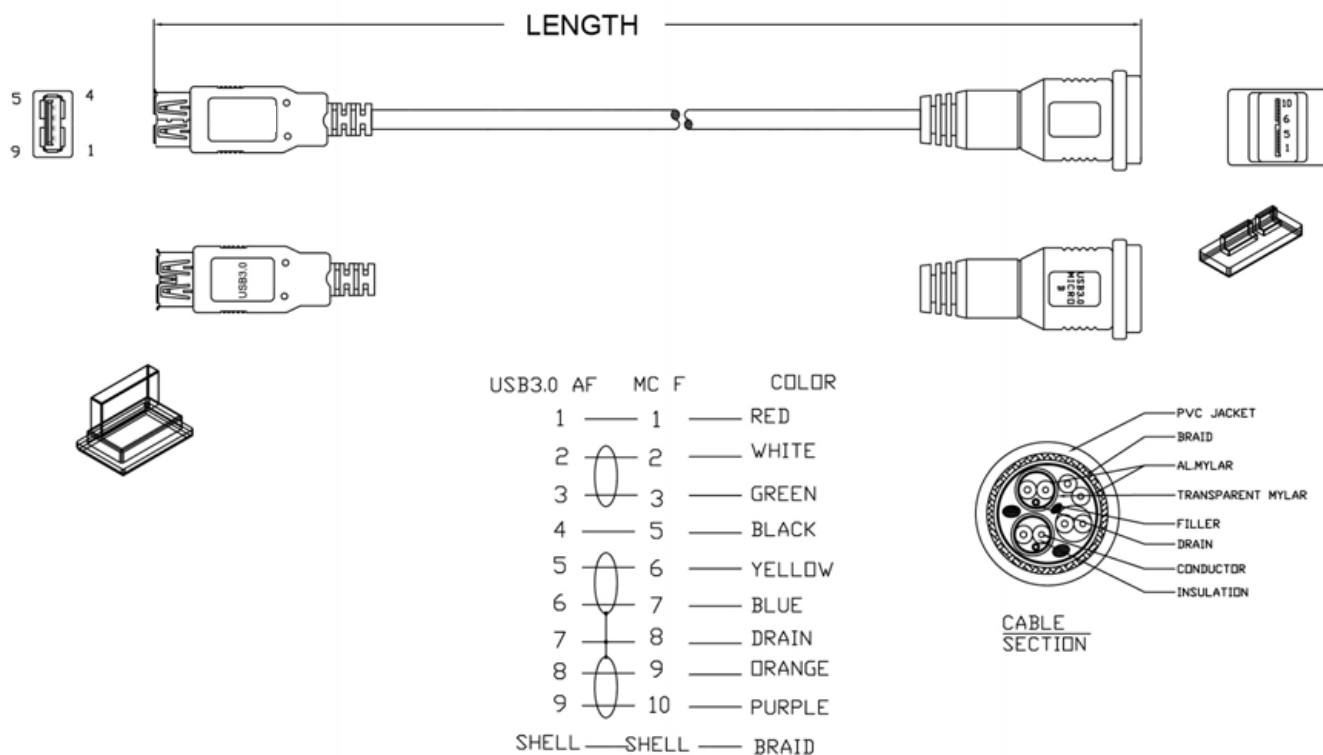


ORDERING INFORMATION:

P/N **K 0 7 B - x x M U**
 1 2 3

- CONNECTORS AT 2 ENDS:
"B" MICRO USB3.0 A+B TYPE FEMALE TO
USB3.0 B TYPE MALE
- CABLE LENGTH IN METER:
0.5M, 1M, 2M, 3M, ...etc.
- CABLE COLOR:
"U" BLUE

MICRO USB3.0 A+B/F TO USB3.0 A/F CABLE

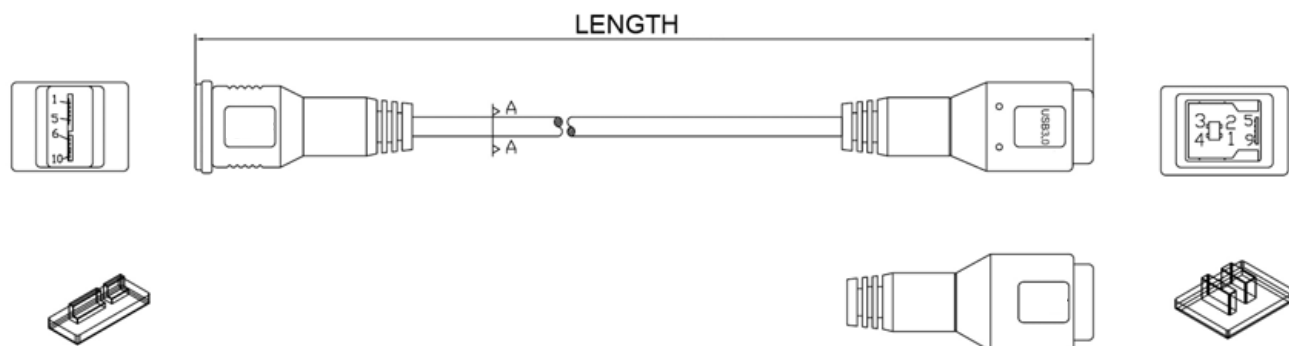


ORDERING INFORMATION:

P/N K 0 7 C - x x M U
 1 2 3

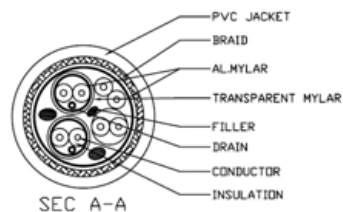
- CONNECTORS AT 2 ENDS:
 "C" MICRO USB3.0 A+B TYPE FEMALE TO
 USB3.0 A TYPE FEMALE
- CABLE LENGTH IN METER:
 0.5M, 1M, 2M, 3M, ...etc.
- CABLE COLOR:
 "U" BLUE

MICRO USB3.0 A+B/F TO USB3.0 B/F CABLE



PIN ASSIGNMENT

MCF	USB3.0 BF	COLOR
1	1	RED(PWR)
2	2	WHITE(UTP_D-)
3	3	GREEN(UTP_D+)
5	4	BLACK(GND_PWRr+)
9	5	YELLOW(SDP1-)
10	6	BLUE(SDP1+)
8	7	DRAIN(SDP1_Drain) (SDP2_Drain)
6	8	ORANGE(SDP2-)
7	9	PURPLE(SDP2+)
SHELL	SHELL	BRAID

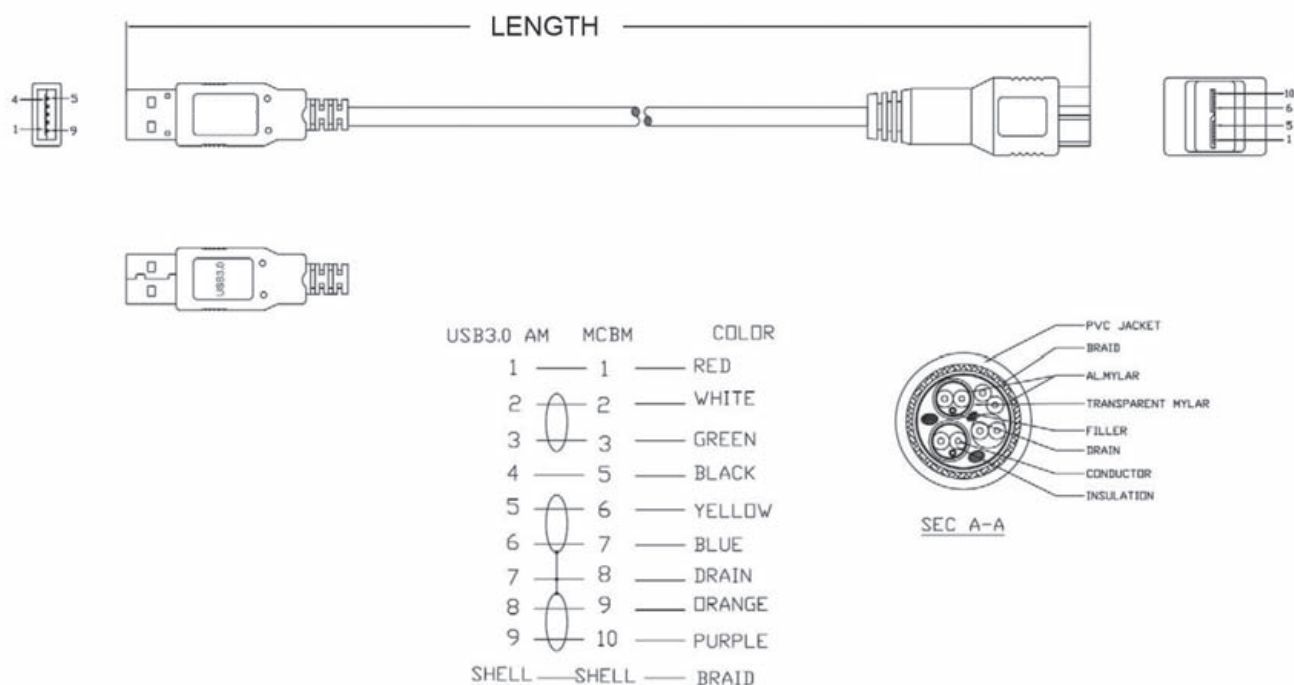


ORDERING INFORMATION:

P/N **K 0 7 D - x x M U**
1 2 3

- CONNECTORS AT 2 ENDS:
 "D" MICRO USB3.0 A+B TYPE FEMALE TO
 USB3.0 B TYPE FEMALE
- CABLE LENGTH IN METER:
 0.5M, 1M, 2M, 3M, ...etc.
- CABLE COLOR:
 "U" BLUE

MICRO USB3.0 B/M TO USB3.0 A/M CABLE

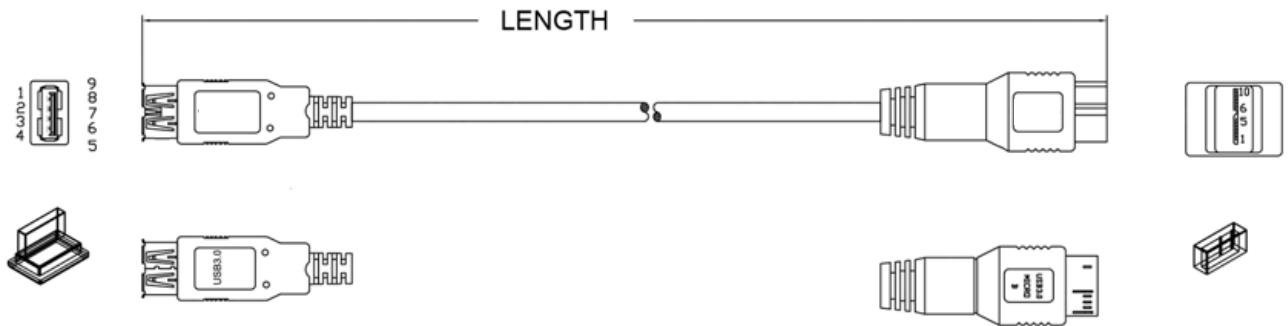


ORDERING INFORMATION:

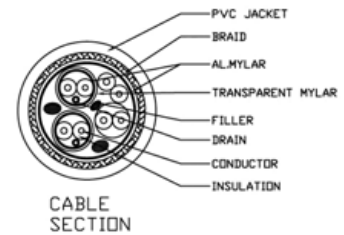
P/N K 0 7 E - x x M U
1 2 3

- CONNECTORS AT 2 ENDS:
 "E" MICRO USB3.0 B TYPE MALE TO
 USB3.0 A TYPE MALE
- CABLE LENGTH IN METER:
 0.5M, 1M, 2M, 3M, ...etc.
- CABLE COLOR:
 "U" BLUE

MICRO USB3.0 B/M TO USB3.0 A/F CABLE



USB3.0 AF	USB3.0 MCBM	COLOR
1	1	RED
2	2	WHITE
3	3	GREEN
4	5	BLACK
5	9	YELLOW
6	10	BLUE
7	8	DRAIN
8	6	ORANGE
9	7	PURPLE
SHELL	SHELL	BRAID

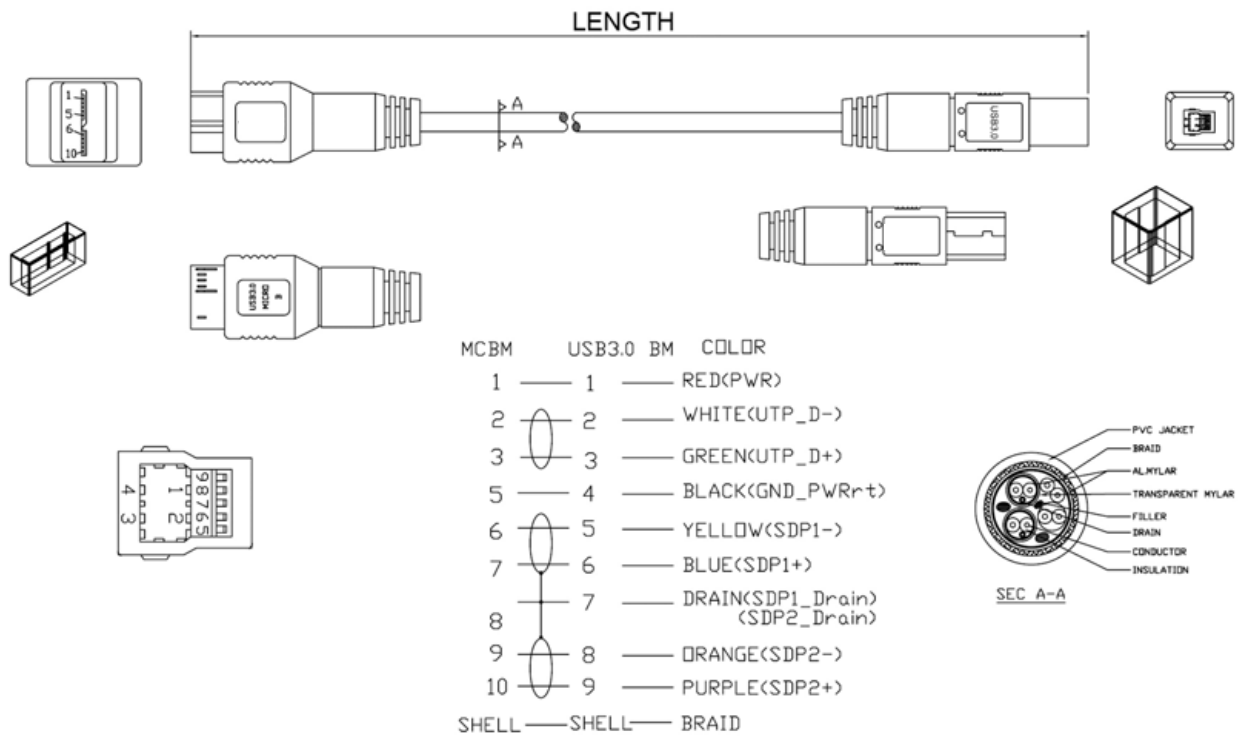


ORDERING INFORMATION:

P/N K 0 7 F - x x M U
1 2 3

- CONNECTORS AT 2 ENDS:
"F" MICRO USB3.0 B TYPE MALE TO
USB3.0 A TYPE FEMALE
- CABLE LENGTH IN METER:
0.5M, 1M, 2M, 3M, ...etc.
- CABLE COLOR:
"U" BLUE

MICRO USB3.0 B/M TO USB3.0 B/M CABLE

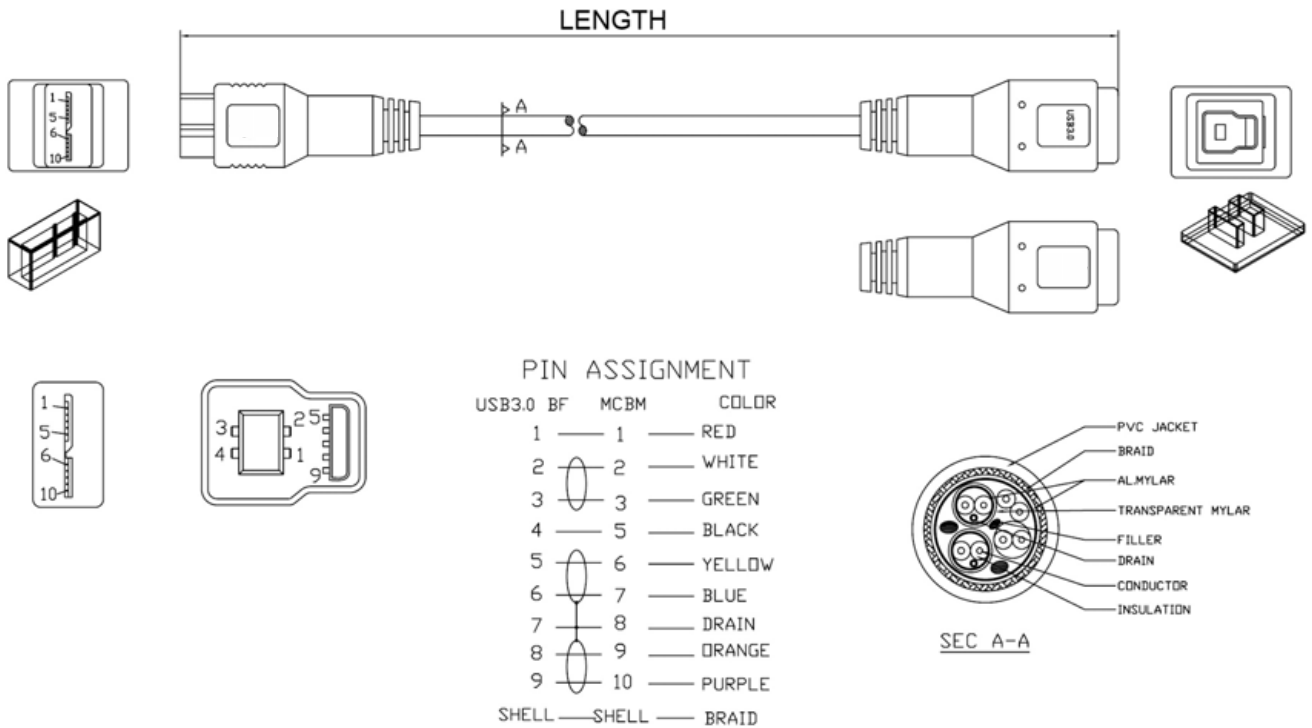


ORDERING INFORMATION:

P/N K 0 7 G - x x M U
1 2 3

- CONNECTORS AT 2 ENDS:
 "G" MICRO USB3.0 B TYPE MALE TO
 USB3.0 B TYPE MALE
- CABLE LENGTH IN METER:
 0.5M, 1M, 2M, 3M, ...etc.
- CABLE COLOR:
 "U" BLUE

MICRO USB3.0 B/M TO USB3.0 B/F CABLE

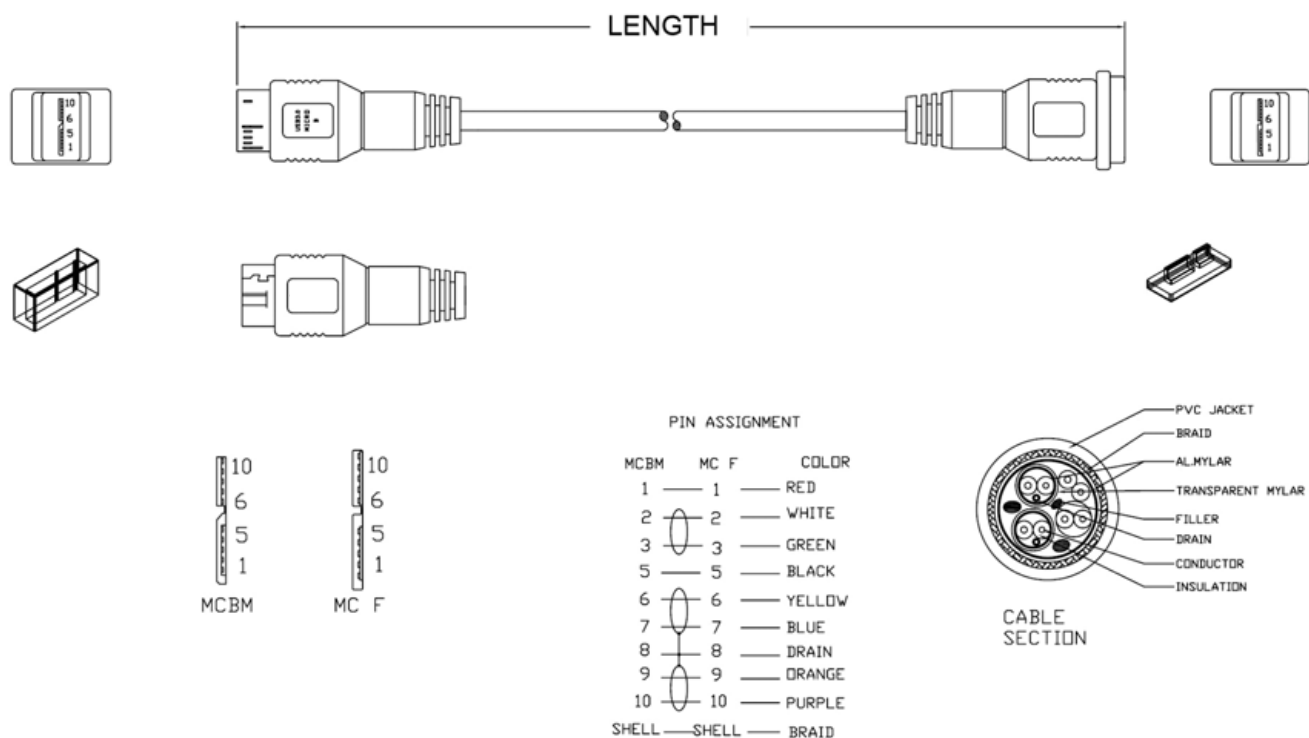


ORDERING INFORMATION:

P/N K 0 7 H - x x M U
1 2 3

1. CONNECTORS AT 2 ENDS:
 "H" MICRO USB3.0 B TYPE MALE TO
 USB3.0 B TYPE FEMALE
2. CABLE LENGTH IN METER:
 0.5M, 1M, 2M, 3M, ...etc.
3. CABLE COLOR:
 "U" BLUE

MICRO USB3.0 B/M TO MICRO USB3.0 A+B/F CABLE

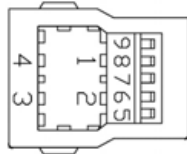
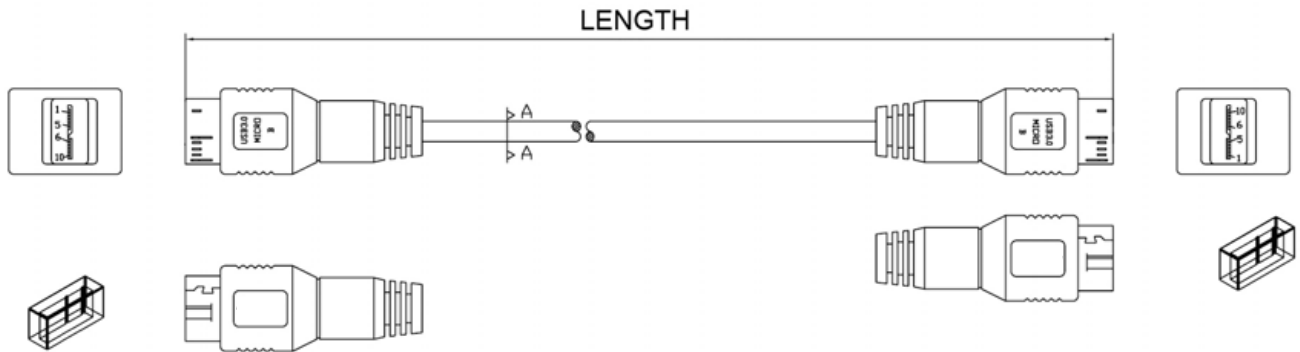


ORDERING INFORMATION:

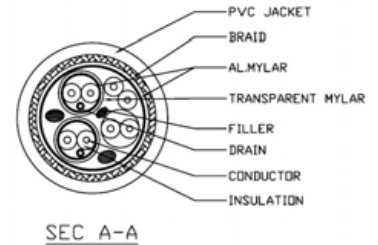
P/N K 0 7 J - $\frac{x}{1}$ $\frac{x}{2}$ M U $\frac{x}{3}$

1. CONNECTORS AT 2 ENDS:
"J" MICRO USB3.0 B TYPE MALE TO
MICRO USB3.0 A+B TYPE FEMALE
2. CABLE LENGTH IN METER:
0.5M, 1M, 2M, 3M, ...etc.
3. CABLE COLOR:
"U" BLUE

MICRO USB3.0 B/M TO MICRO USB3.0 B/M CABLE



MCBM	MCBM	COLOR
1	1	RED<PWR>
2	2	WHITE<UTP_D->
3	3	GREEN<UTP_D+>
5	5	BLACK<GND_PWRrt>
6	9	YELLOW<SDP1->
7	10	BLUE<SDP1+>
8	8	DRAIN<SDP1_Drain> <SDP2_Drain>
9	6	ORANGE<SDP2->
10	7	PURPLE<SDP2+>
SHELL	SHELL	BRAID



ORDERING INFORMATION:

P/N **K 0 7 K - x x M U**
 1 2 3

- CONNECTORS AT 2 ENDS:
"K" MICRO USB3.0 B TYPE MALE TO
MICRO USB3.0 B TYPE MALE
- CABLE LENGTH IN METER:
0.5M, 1M, 2M, 3M, ...etc.
- CABLE COLOR:
"U" BLUE